



USA
 3833 SALA Way
 Red Wing, MN 55066-5005
 Toll Free: 800-328-6146
 Phone: (651) 388-8282
 Fax: (651) 388-5065
 www.capitalsafety.com

Canada
 260 Export Boulevard
 Mississauga, Ontario L5S 1Y9
 Toll Free: 800-387-7484
 Phone: (905) 795-9333
 Fax: (905) 795-8777
 www.capitalsafety.com

Europe - Middle East-Africa
 Le Broc Center
 Z.I. 1ere Avenue
 06510 Carros Le Broc Center
 France
 Tel: +(33) (0)4 97 10 00 10
 Fax: +(33) (0)4 93 08 79 70
 www.capitalsafety.com
 information@capitalsafety.com

Instructions for the following series products:
 Instruct, SCVA Bottle Filling
 Model Number: 2200087

A Capital Safety Company

USER INSTRUCTION MANUAL

This instruction is designed to provide a simple, convenient way of using compressed air from a scuba tank to refill your SCVA bottle.

IMPORTANT: Before refilling, refer to the SCVA bottle label for rehydro test date and other warnings.

IMPORTANT: If you have any questions on the use, care, or suitability of this equipment for your application, contact DBI-SALA.

Figure 1 - SCVA Fill Station

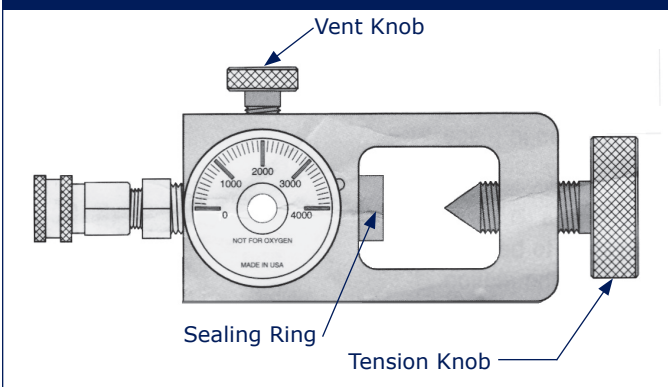
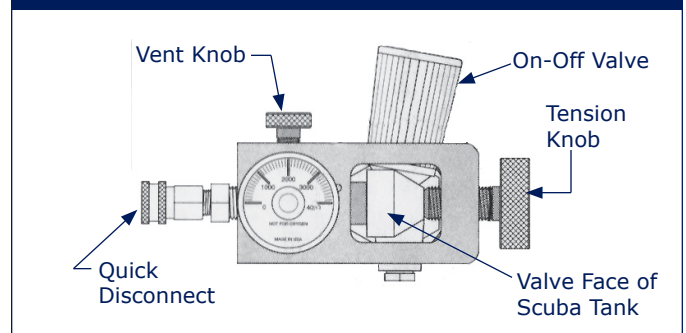


Figure 3 - Top View Fill Station & Tank Alignment



The SCVA Fill Station (Figure 1) will fit onto any scuba tank with the standard American (yoke-type) valve assembly. To use with a DIN-type valve assembly, a DIN-to-yoke adapter must be used. DIN-to-yoke adapters are available from scuba supply shops.

To perform a fill, attach the empty SCVA bottle to the quick disconnect on the fill station. See Figure 4. Note: Check to make sure the vent knob is closed.

Before attaching the fill station, examine the scuba tank valve and make sure that the O-ring in the valve face is present and in good condition. See Figure 2.

Figure 4 - Properly Installed SCVA Fill Station

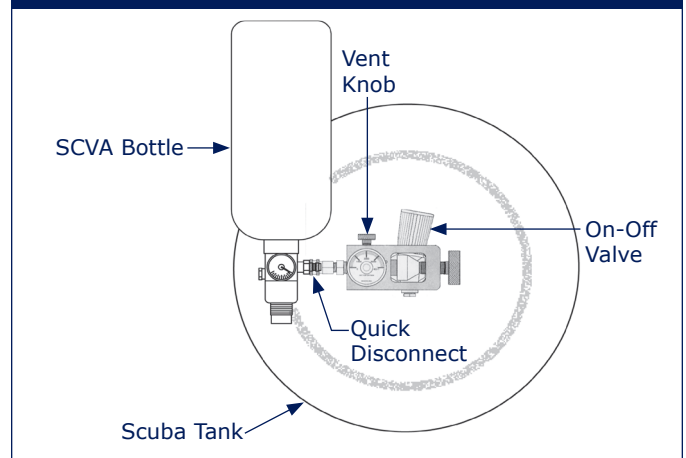
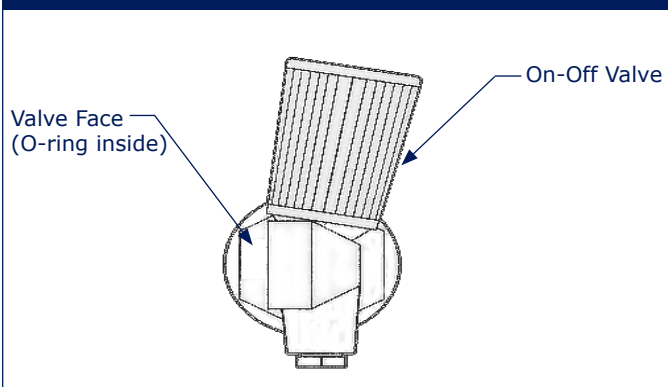


Figure 2 - Top View Scuba Tank



Slowly open the scuba tank on-off valve.

When the air flow stops, close the scuba tank on-off valve, open the vent knob, disconnect the SCVA bottle, and remove the fill station from the scuba tank.

the fill station (Figure 1) with the O-ring groove on the scuba tank valve face.

IMPORTANT: To operate the SCVA unit, the SCVA bottle must have a minimum pressure of 1,000 PSI.

When the alignment is correct, tighten the tension knob to hold the fill station securely in place over the scuba tank. See Figure 3.