



Fall Protection

**Cabloc
Vertical Safety System
Fall Arrest/Fall Restraint System**

Technical Data Sheets

Technical Data Sheet	Description	Page
1230	Cabloc System Configuration	2
1231	Cabloc System Configuration	3
1337	Cabloc System Configuration	4
1436	Cabloc System Configuration	5
1437	Cabloc System Configuration	6
1439	Cabloc System Configuration	7
AC325	In-Line Shock Absorber, SS (6100057)	8
AC340	Universal End Anchorage Plate, SS (6100059)	9
AC330	Tensioner with Tension Indicator - Clevis / Eye (6100062)	10
AC330/1	Tensioner with Tension Indicator - Clevis / Clevis (6100063)	11
6180174	Ladder Extension Bracket - Galvanized	12
6180175	Ladder Extension Bracket - Stainless Steel	13
6180200	Cabloc Traveler with Zinc Plated Carabiner	14
6180201	Cabloc Traveler with SS Carabiner	15
AC320	Cable Guide, SS (6100312)	16
6191002	Cabloc Pro Int Guide	17
6191019	Cabloc Pro Int Guide, SS	18
6191032	Cabloc Stainless Steel Top Anchor	19
6191033	Cabloc Stainless Steel Bottom Anchor	20
6191035	Cabloc Galvanized Steel Top Anchor	21
6191036	Cabloc Galvanized Steel Bottom Anchor	22
6191038	Cabloc Hex Swage Stainless Steel Bottom Anchor	23
6191062	Cabloc Hex Swage Galvanized Steel Bottom Anchor	24
6199998	Cabloc Pro Traveler	25
7234011	Hex Swage Toggle	26
7241072	8mm 1x19 Stainless Steel Cable Per M	27
AC300SXX	8mm 7x19 Stainless Steel Cable By Length	28
AC300GXX	8mm 6x19 Galvanized Steel Cable By Length	29
6191088	System Tag Kit Western Europe	30
6191104	System Tag Kit Central and Eastern Europe	31
6191105	System Tag Kit Arabic and Turkish	32

TECHNICAL DATA SHEET: 1230

Cabloc System Configuration

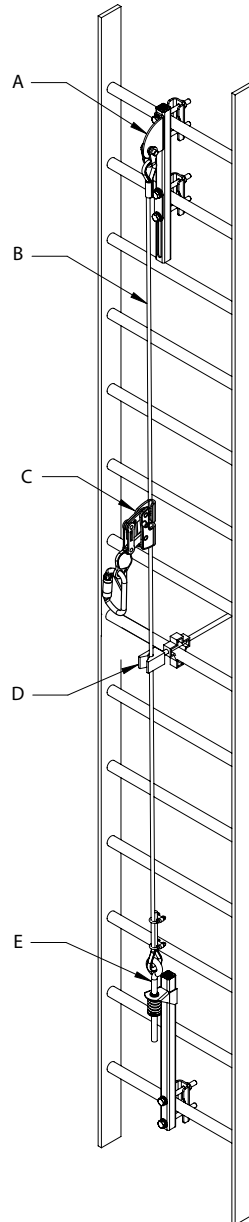


APPLICATION:

This is a typical application using a bottom anchor as cable tensioner. This is an example of a system without an inline energy absorber.

The components shown are for applications that require stainless steel components

For more detailed component information refer to the individual data sheets.



	Component	Part Number
A	Cabloc Stainless Steel Top Anchor	6191032
B	8mm 7x19 Stainless Steel Cable By Length	AC300SXX
C	Cabloc Traveler with Zinc Plated Carabiner Cabloc Traveler with SS Carabiner	6180200* 6180201
D	Cable Guide, SS (6100312)	AC320
E	Cabloc Stainless Steel Bottom Anchor	6191033

*This item is different from the one illustrated

TECHNICAL DATA SHEET: 1231

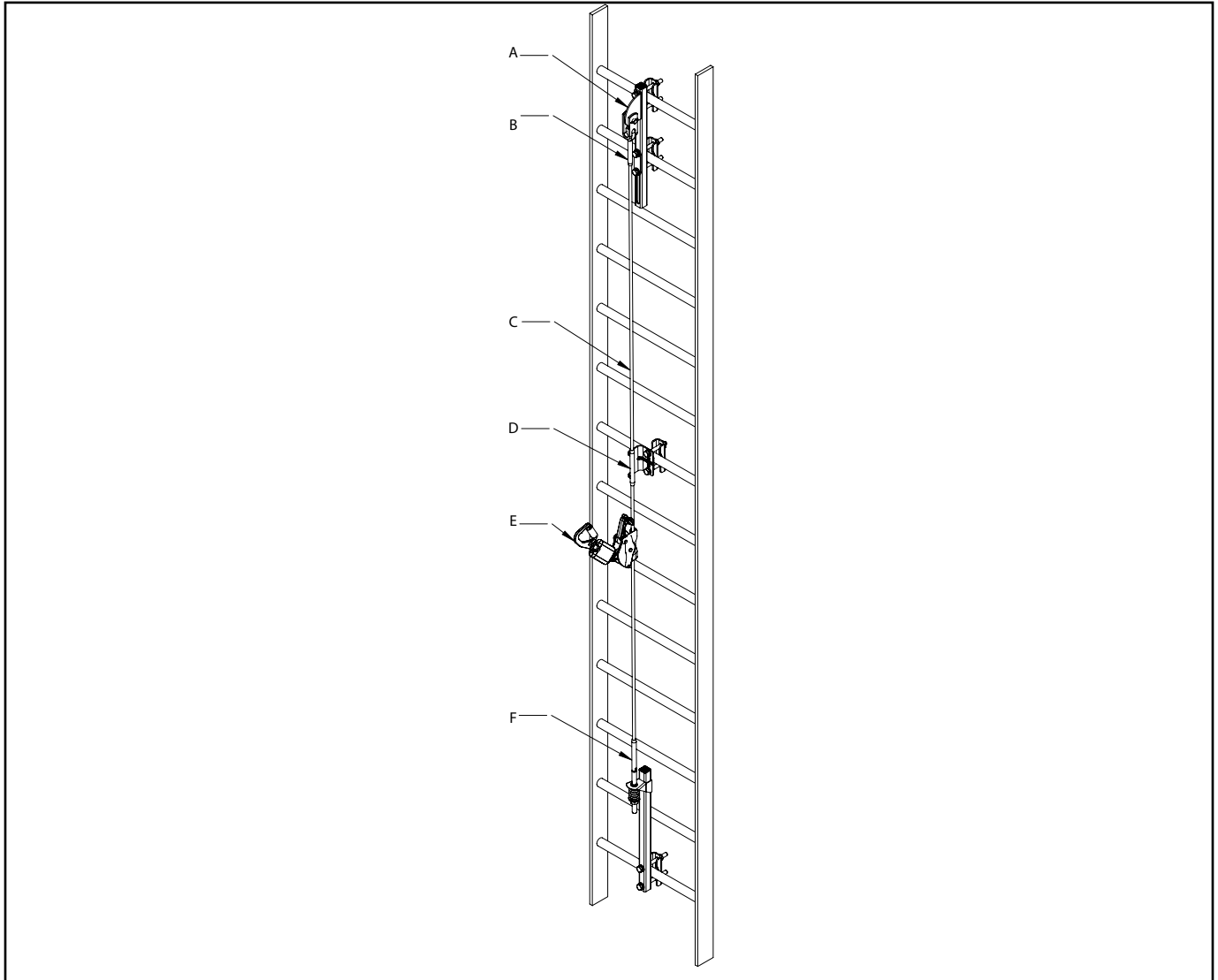
Typical Cabloc System - Cabloc Pro & Pass Through Intermediate Bracket



Fall Protection

APPLICATION:

For more detailed component information refer to the individual datasheets.



	Component	Part Number
A	Cabloc Stainless Steel Top Anchor Cabloc Galvanized Steel Top Anchor Ladder Extension Bracket - Galvanized Ladder Extension Bracket - Stainless Steel	6191032 6191035* 6180174* 6180175*
B	Hex Swage Toggle	7234011
C	8mm 1x19 Stainless Steel Cable Per M	7241072
D	Cabloc Pro Int Guide SS Cabloc Pro Int Guide	6191019 6191002*
E	Cabloc Pro	6199998
F	Cabloc Hex Swage Bottom Anchor Cabloc Galvanized Hex Swage Bottom Anchor	6191038 6191062

*This item is different from the one illustrated

TECHNICAL DATA SHEET: 1337

Cabloc System Configuration

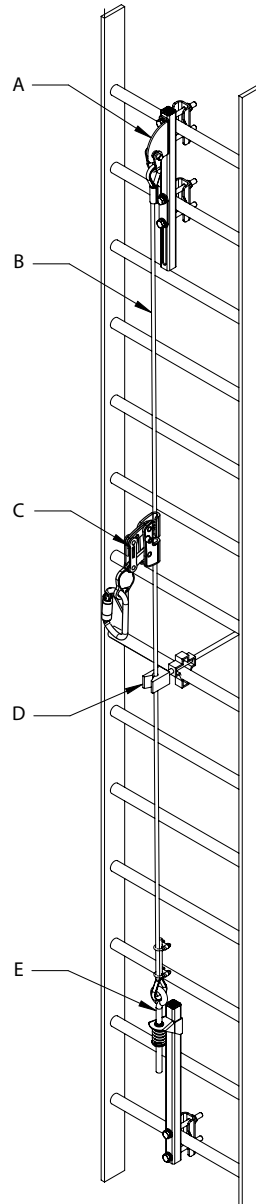


APPLICATION:

This is a typical application using a bottom anchor as cable tensioner. This is an example of a system without an inline energy absorber.

The components shown are for applications where galvanized components are acceptable.

For more detailed component information refer to the individual data sheets.



	Component	Part Number
A	Cabloc Galvanized Steel Top Anchor	6191035
B	8mm 6x19 Galvanized Steel Cable By Length	AC300GXX*
C	Cabloc Galvanized Steel Bottom Anchor	6191036
D	Cable Guide, SS (6100312)	AC320
E	Cabloc Traveler with Zinc Plated Carabiner Cabloc Traveler with SS Carabiner	6180200 6180201*

*This item is different from the one illustrated

TECHNICAL DATA SHEET: 1436

Cabloc System Configuration



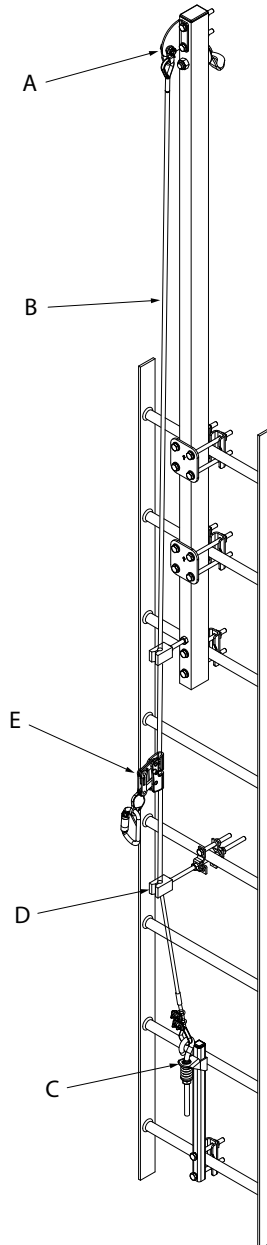
Fall Protection

APPLICATION:

This is a typical application using ladder extension bracket to extend the height of the cable.

The components shown are for applications where galvanized components are acceptable.

For more detailed component information refer to the individual data sheets.



	Component	Part Number
A	Ladder Extension Bracket - Galvanized	6180174
B	8mm 6x19 Galvanized Steel Cable By Length	AC300GXX
C	Cabloc Traveler with Zinc Plated Carabiner Cabloc Traveler with SS Carabiner	6180200 6180201*
D	Cable Guide, SS (6100312)	AC320
E	Cabloc Galvanized Steel Bottom Anchor	6191036

*This item is different from the one illustrated

TECHNICAL DATA SHEET: 1437

Cabloc System Configuration



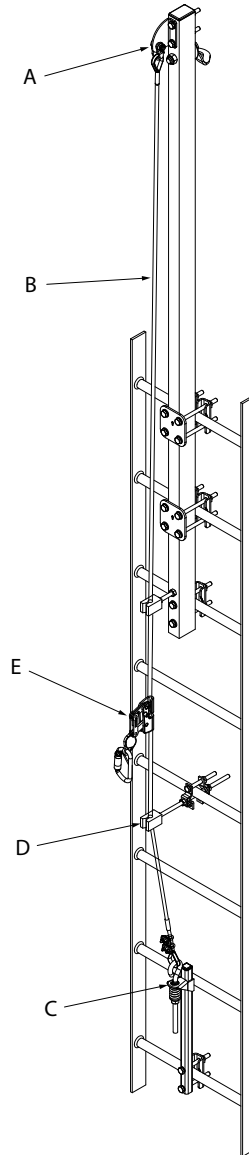
Fall Protection

APPLICATION:

This is a typical application using ladder extension bracket to extend the height of the cable.

The components shown are for applications that require stainless steel components.

For more detailed component information refer to the individual data sheets.



	Component	Part Number
A	Ladder Extension Bracket - Stainless Steel	6180175
B	8mm 7x19 Stainless Steel Cable By Length	AC300SXX
C	Cabloc Traveler with Zinc Plated Carabiner Cabloc Traveler with SS Carabiner	6180200* 6180201
D	Cable Guide, SS (6100312)	AC320
E	Cabloc Stainless Steel Bottom Anchor	6191033

*This item is different from the one illustrated

TECHNICAL DATA SHEET: 1439

Cabloc System Configuration

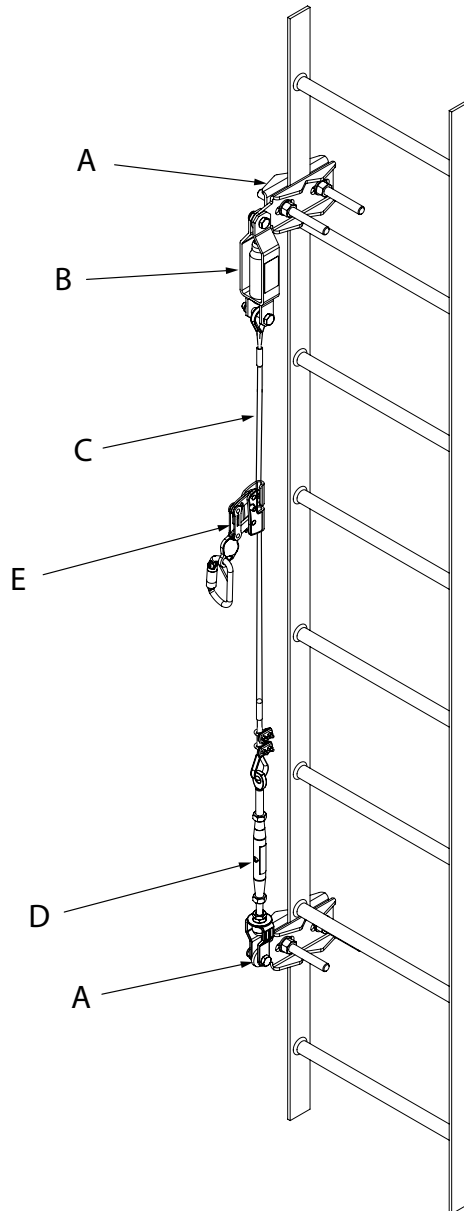


Fall Protection

APPLICATION:

This is a typical application using universal anchor plates, an inline shock absorber and cable tensioner.

For more detailed component information refer to the individual data sheets.



	Component	Part Number
A	Universal End Anchorage Plate, SS (6100059)	AC340
B	In-line Shock Absorber, SS (6100057)	AC325
C	8mm 6x19 Galvanized Steel Cable By Length	AC300GXX
D	Cabloc Traveler with Zinc Plated Carabiner Cabloc Traveler with SS Carabiner	6180200 6180201*
E	Tensioner with Tension Indicator - Clevis / Eye (6100062) Tensioner with Tension Indicator - Clevis / Clevis (6100063)	AC330 AC330/1*

*This item is different from the one illustrated

TECHNICAL DATA SHEET: AC325

In-line Shock Absorber, SS (6100057)

Part No: AC325



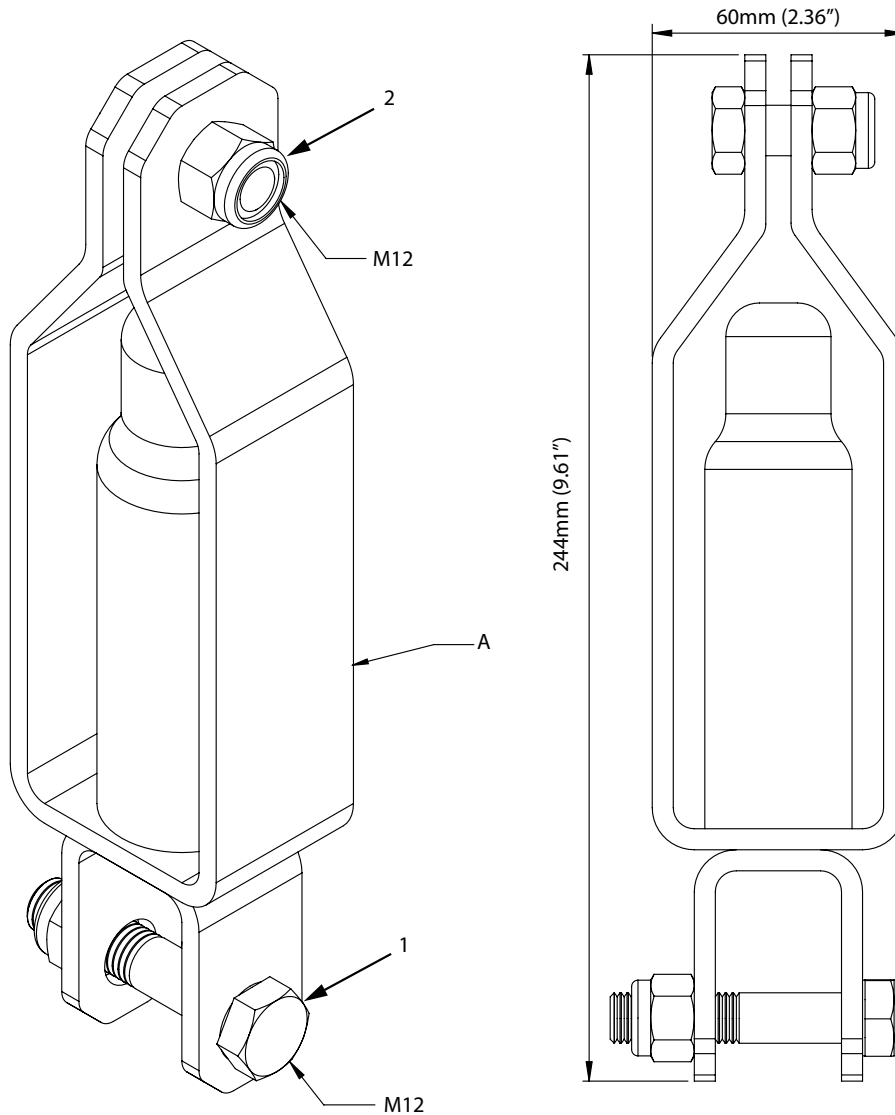
Fall Protection

APPLICATION:

Used in conjunction with the top anchor on Cabloc vertical systems to absorb energy, limiting the force back to the user and the structure.

Number of Users 2. Capacity 140 kg (310 lbs)

Operating Temperature Range: -30°C (-22°F) to 60°C (140°F)



PART SPECIFICATION:

Net Weight kg (lb)	Minimum Break- ing Strength kN (lb)	Maximum Deployment Length mm (in)	Activation Force kN (lb)	Torque -1 Nm (ft-lbf)	Torque -2 Nm (ft-lbf)
1.15 (2.5)	15 (3372)	80 (3.1")	2 (450)	10 (7.4)	10 (7.4)

COMPONENT SPECIFICATION:

Qty.	Component	Material	Finish
A 1	In-line Shock Absorber	304 Stainless Steel	Electropolished

TECHNICAL DATA SHEET: AC340

Universal End Anchorage Plate, SS (6100059)

Part No: AC340



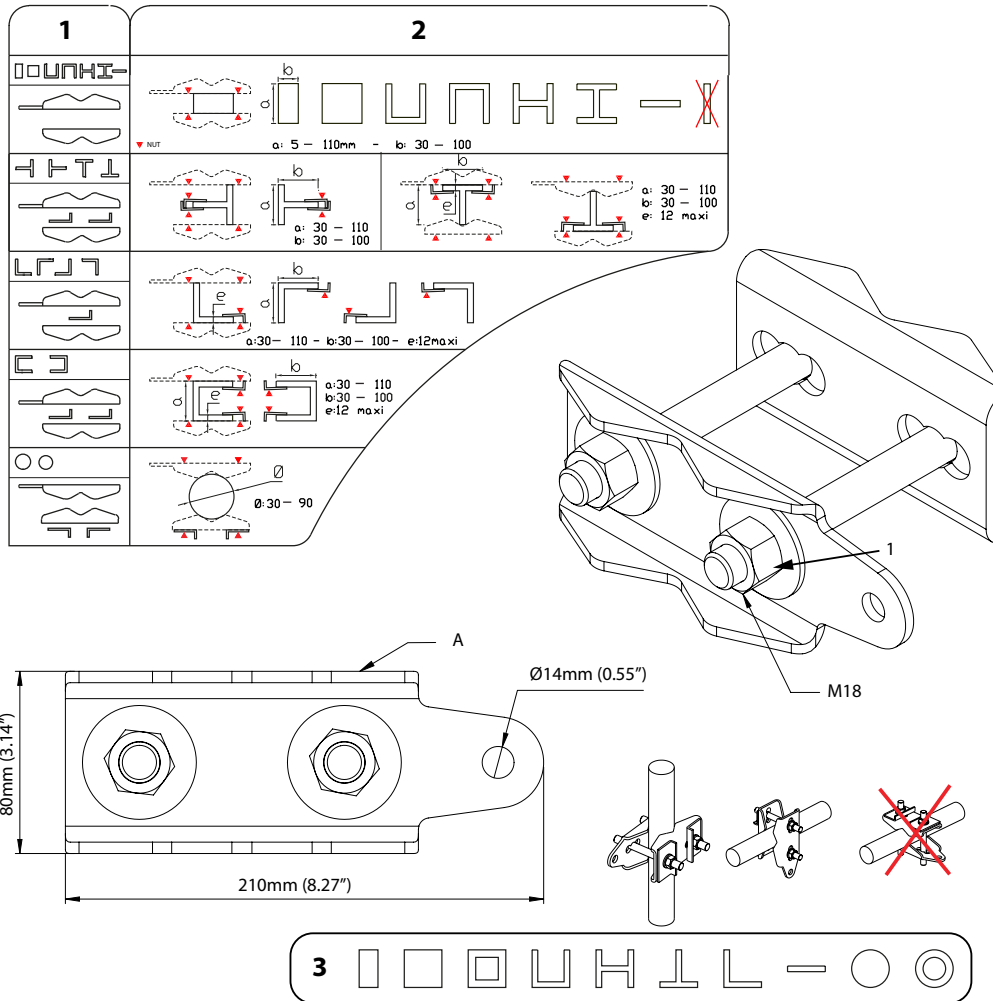
Fall Protection

APPLICATION:

Used to attach vertical systems to various structures. Must be configured with AC325 (6100057) In-Line energy Absorber in top anchor applications.

Number of Users 2.

Operating Temperature Range: -30°C (-22°F) to 60°C (140°F)



1	Required Parts
2	Configurations
3	Compatible support sections

PART SPECIFICATION:

Net Weight kg (lb)	Minimum Breaking Strength kN (lb)	Torque -1 Nm (ft-lbf)
2.38 (5.2)	15 (3372)	30 (22)

COMPONENT SPECIFICATION:

Qty.	Component	Material	Finish
A 1	Universal End Anchorage Plate	316L Stainless Steel	Satin Polishing

TECHNICAL DATA SHEET: AC330

Tensioner with Tension Indicator - Clevis / Eye (6100062)

Part No: AC330



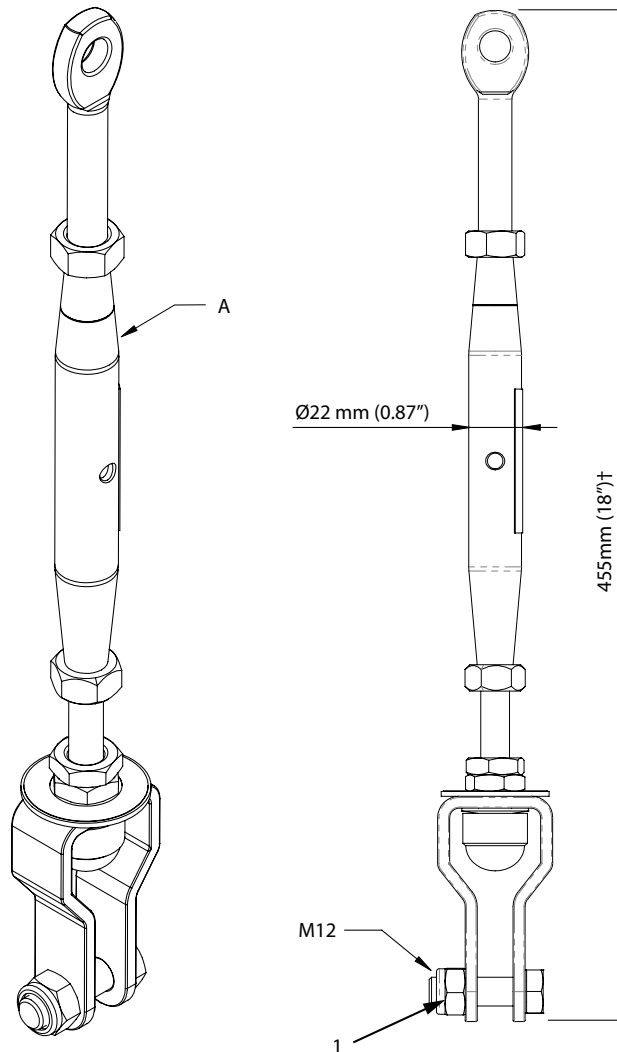
Fall Protection

APPLICATION:

Used in conjunction with bottom anchor in vertical systems to set the cable tension.

Operating pre-tension: 0.8kN (180lbf)

Operating Temperature Range: -30°C (-22°F) to 60°C (140°F)



†	Maximum
---	---------

PART SPECIFICATION:

Net Weight kg (lb)	Torque -1 Nm (ft-lbf)
0.81 (1.8)	10 (7.4)

COMPONENT SPECIFICATION:

	Qty.	Component	Material	Finish
A	1	Tensioner with Tension Indicator - Clevis / Eye	316 Stainless Steel	Electropolished

TECHNICAL DATA SHEET: AC330/1

Tensioner with Tension Indicator - Clevis / Clevis (6100063)

Part No: AC330/1



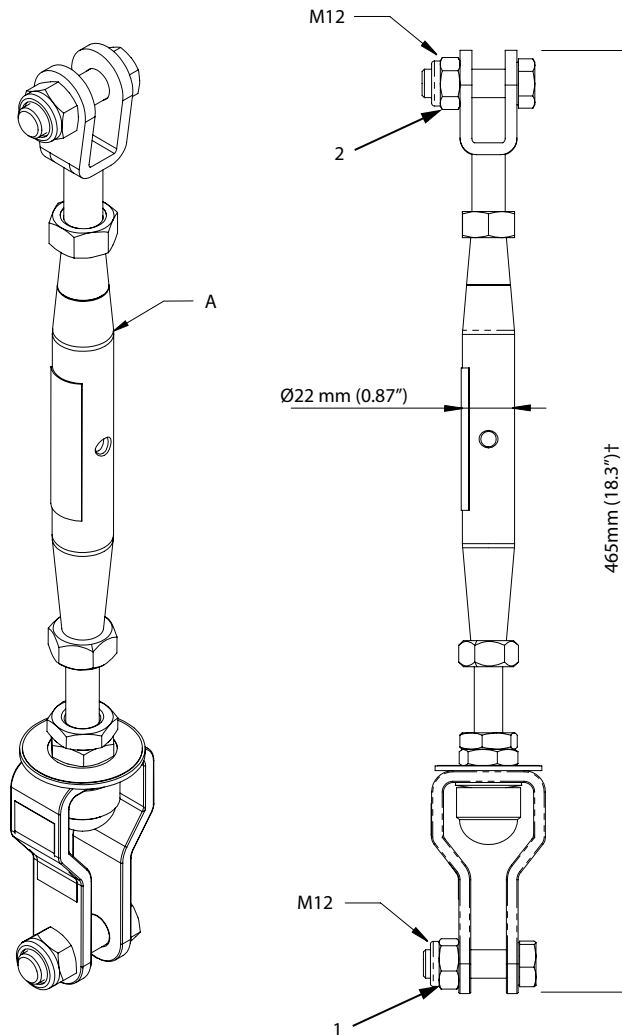
Fall Protection

APPLICATION:

Used in conjunction with bottom anchor in vertical systems to set the cable tension.

Operating pre-tension: 0.8kN (180lbf)

Operating Temperature Range: -30°C (-22°F) to 60°C (140°F)



†	Maximum
---	---------

PART SPECIFICATION:

Net Weight kg (lb)	Torque -1 Nm (ft-lbf)	Torque -2 Nm (ft-lbf)
0.84 (1.9)	10 (7.4)	10 (7.4)

COMPONENT SPECIFICATION:

Qty.	Component	Material	Finish
A 1	Tensioner with Tension Indicator - Clevis / Clevis	316 Stainless Steel	Electropolished

TECHNICAL DATA SHEET:6180174

Ladder Extension Bracket - Galvanized

Part No: 6180174



Fall Protection

APPLICATION:

To extend the Cabloc system up to 1.3m (51") beyond a finishing platform.

Number of user: 2

Additional feature (A) serves as a single point anchor.

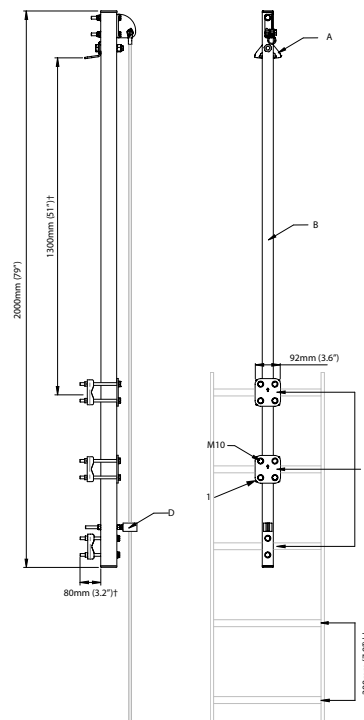
Minimum strength of structure 12kN.

Conforms to EN 795:2012 Type A

Maximum users 1.

Compatibility: Rung centers 200mm-310mm (7.87"-12.20"). Fits cylindrical rung $\varnothing 12$ - $\varnothing 30$ (0.47"-1.18") and square rungs 20mm-40mm (0.79"-1.57").

Operating Temperature Range: -30°C (-22°F) to 60°C (140°F)



† Maximum

PART SPECIFICATION:

Net Weight kg (lb)	Minimum Breaking Strength kN (lb)	Torque -1 Nm (ft-lbf)
10.5 (23.1)	15 (3372)	30 (22)

COMPONENT SPECIFICATION:

Qty.	Component	Material	Finish	
A	1	Single Point Anchor	Mild Steel	Galvanized
B	1	Rigid Mast	Mild Steel	Galvanized
C	1	Bracket Assemblies	Mild Steel	Galvanized
D	1	Cable Guide	Mild Steel	Galvanized

TECHNICAL DATA SHEET: 6180175

Ladder Extension Bracket - Stainless Steel

Part No: 6180175



Fall Protection

APPLICATION:

To extend the Cabloc system up to 1.3m (51") beyond a finishing platform.

Number of users: 2

Additional feature (A) serves as a single point anchor.

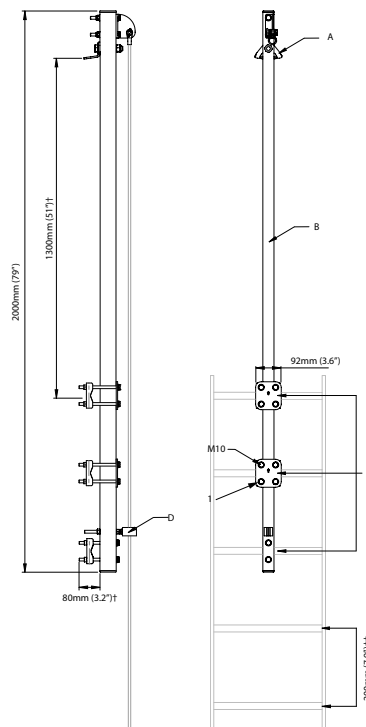
Minimum strength of structure 12kN.

Maximum users 1.

Conforms to EN 795:2012 Type A

Compatibility: Rung centers 200mm-310mm (7.87"-12.20"). Fits cylindrical rung $\varnothing 12\text{-}\varnothing 30$ (0.47"-1.18") and square rungs 20mm-40mm (0.79"-1.57").

Operating Temperature Range: -30°C (-22°F) to 60°C (140°F)



† Maximum

PART SPECIFICATION:

Net Weight kg (lb)	Minimum Breaking Strength kN (lb)	Torque -1 Nm (ft-lbf)
11.5 (25.4)	15 (3372)	30 (22)

COMPONENT SPECIFICATION:

Qty.	Component	Material	Finish	
A	1	Single Point Anchor	304L Stainless Steel	Natural
B	1	Rigid Mast	304L Stainless Steel	Natural
C	1	Bracket Assemblies	304L Stainless Steel	Natural
D	1	Cable Guide	304L Stainless Steel	Natural

TECHNICAL DATA SHEET: 6180200

Cabloc Traveler with Zinc Plated Carabiner

Part No: 6180200



Fall Protection

APPLICATION:

Used as a traveler in vertical systems, allowing the user to move freely up and down the system whilst maintaining attachment. Includes energy absorbing element.

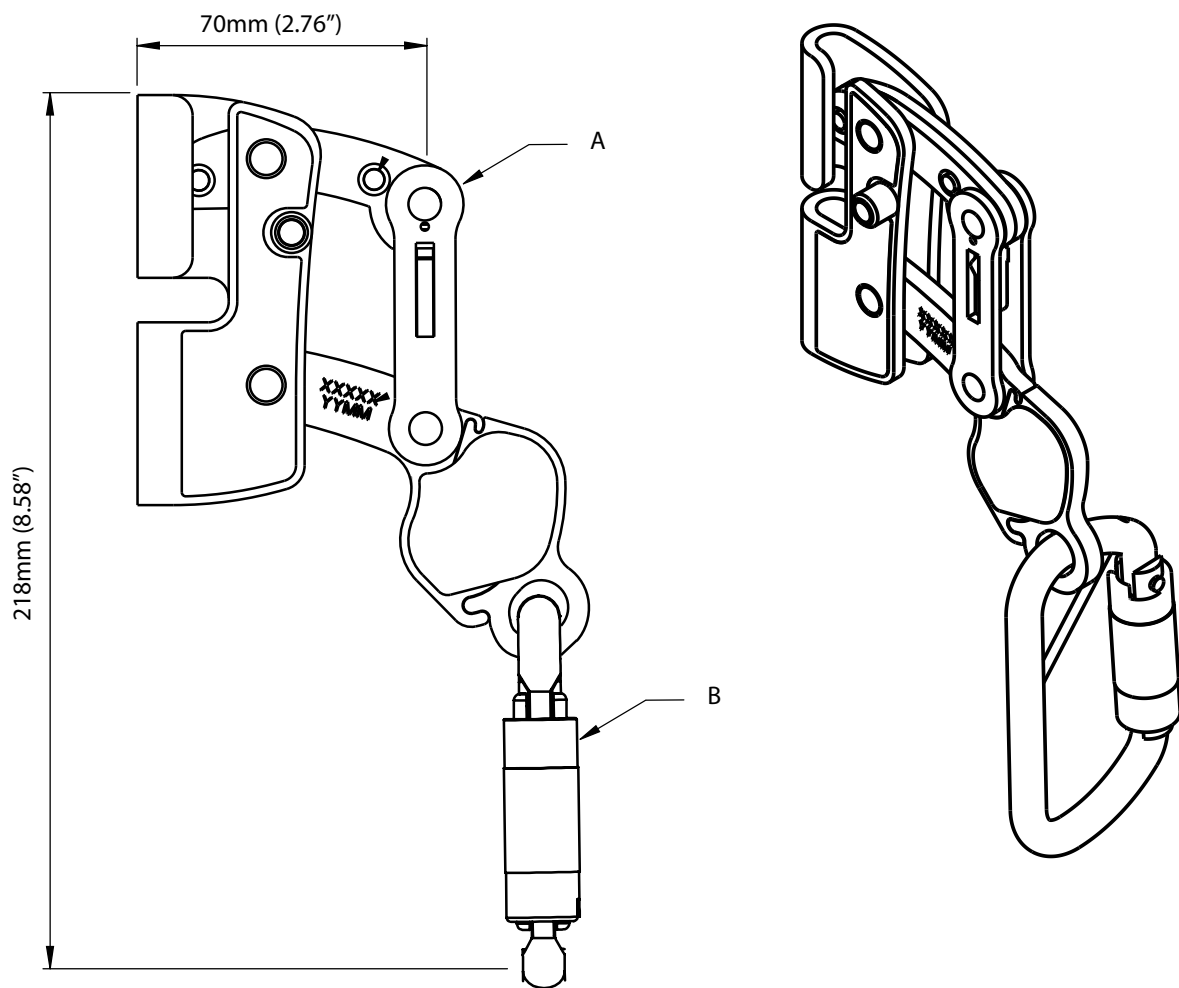
Only use with the carabiner and shock absorber supplied.

For use on 8mm galvanized or stainless steel cable.

Number of Users 1. User weight 40kg – 140kg (88 lbs – 310 lbs).

Read user manual before use.

Operating Temperature Range: -30°C (-22°F) to 60°C (140°F)



PART SPECIFICATION:

Net Weight kg (lb)	Minimum Breaking Strength kN (lb)	Maximum Deployment Length mm (in)	Activation Force kN (lb)
0.65 (1.4)	15 (3372)	89 (3.5")	2 (450)

COMPONENT SPECIFICATION:

	Qty.	Component	Material	Finish
A	1	Cabloc Traveler	304 Stainless Steel	Electropolished
B	1	Caribiner	Steel	Zinc Plated

TECHNICAL DATA SHEET: 6180201

Cabloc Traveler with SS Carabiner

Part No: 6180201



Fall Protection

APPLICATION:

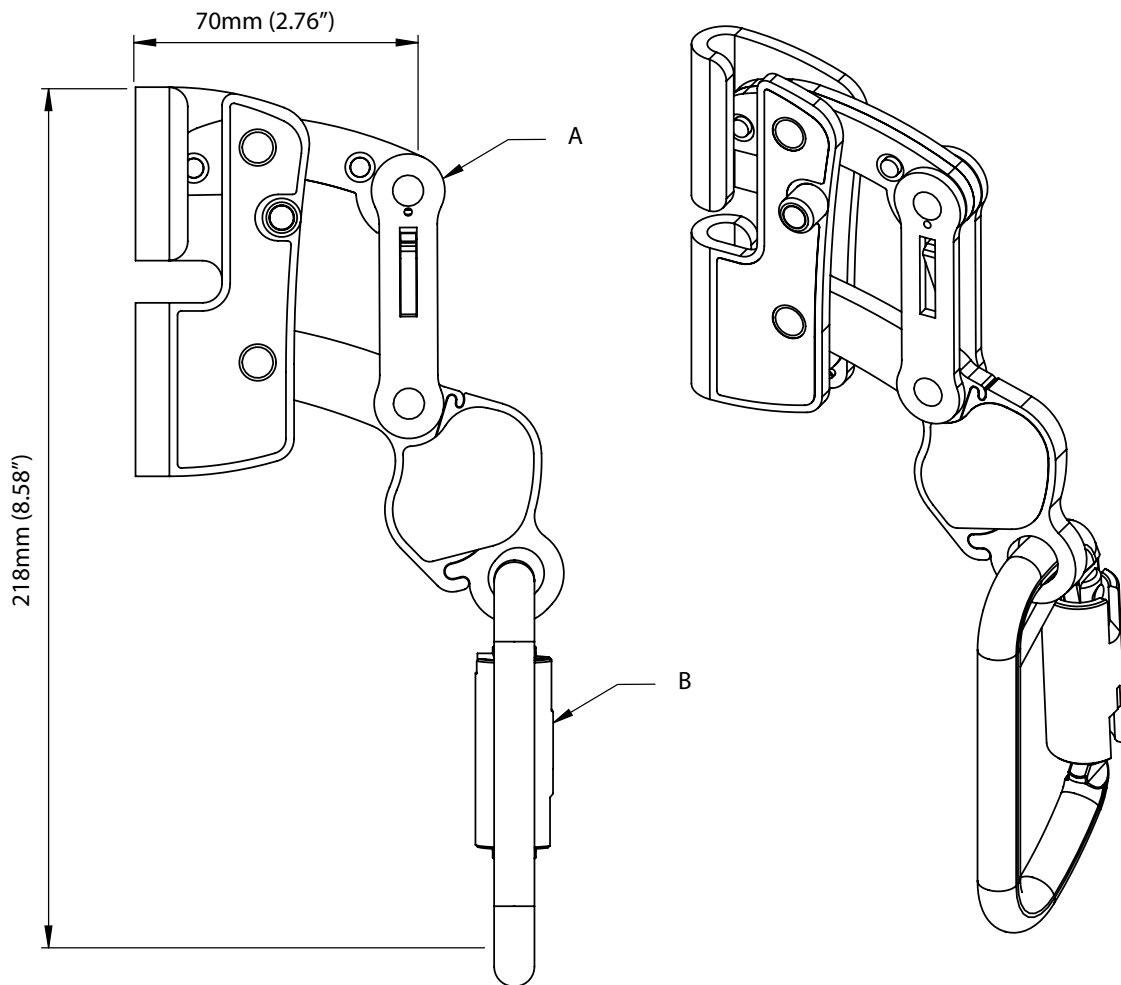
Used as a traveler in vertical systems, allowing the user to move freely up and down the system whilst maintaining attachment. Includes energy absorbing element.

Only use with the carabiner and shock absorber supplied.

Number of Users 1. User weight 40kg – 140kg (88 lbs – 310 lbs).

Read user manual before use.

Operating Temperature Range: -30°C (-22°F) to 60°C (140°F)



PART SPECIFICATION:

Net Weight kg (lb)	Minimum Breaking Strength kN (lb)	Maximum Deployment Length mm (in)	Activation Force kN (lb)
0.91 (2)	15 (3372)	89 (3.5")	2 (450)

COMPONENT SPECIFICATION:

	Qty.	Component	Material	Finish
A	1	Cabloc Traveler	304 Stainless Steel	Electropolished
B	1	Carabiner	304 Stainless Steel	Electropolished

TECHNICAL DATA SHEET: AC320

Cable Guide, SS, (6100312)

Part No: AC320

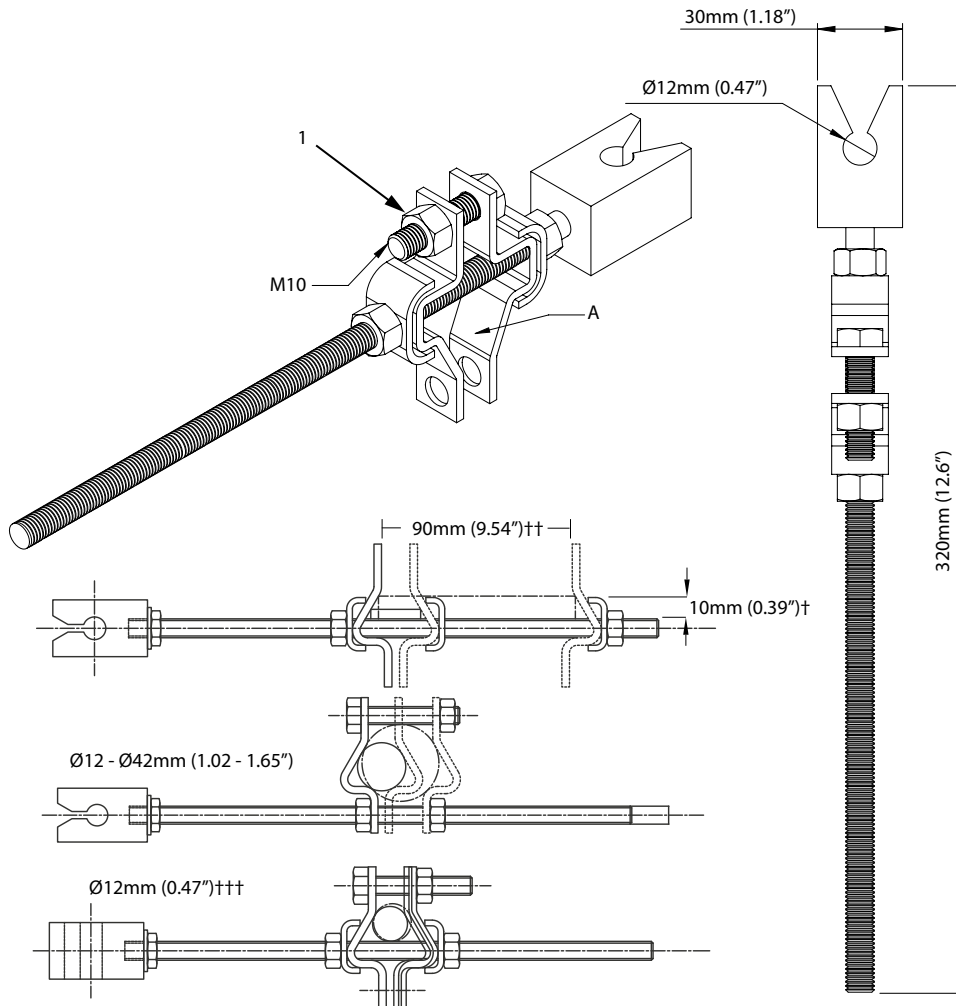


Fall Protection

APPLICATION:

Used to guide the cable in vertical systems.

Operating Temperature Range: -30°C (-22°F) to 60°C (140°F)



†	Maximum Thickness
††	Maximum Width
†††	Minimum

PART SPECIFICATION:

Net Weight kg (lb)	Torque -1 Nm (ft-lbf)
0.44 (1)	15 (11)

COMPONENT SPECIFICATION:

	Qty.	Component	Material	Finish
A	1	Cable Guide	304 Stainless Steel	Electropolished

TECHNICAL DATA SHEET: 6191002

Cabloc Pro Int Guide

Part No: 6191002



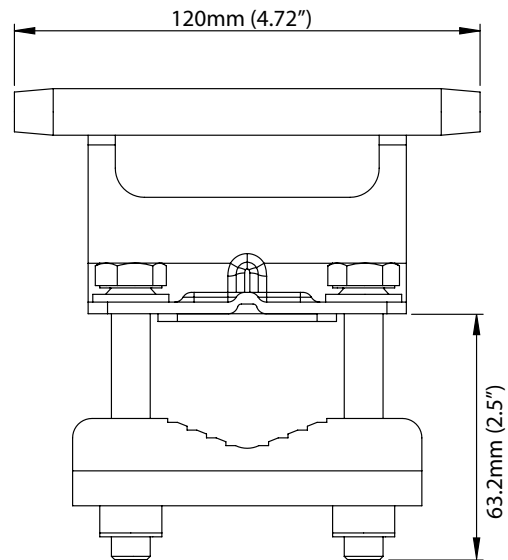
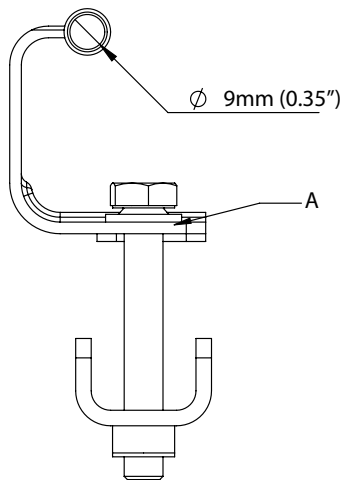
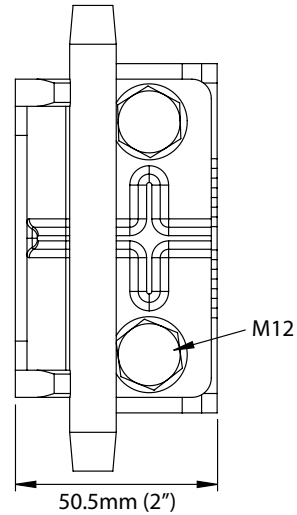
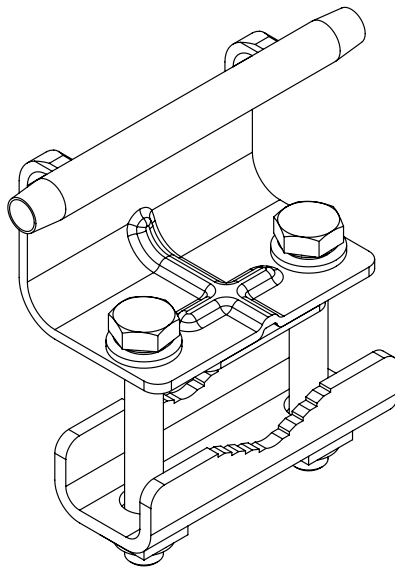
Fall Protection

APPLICATION:

The cable guide is designed to fix the cable to the ladder on one rung, whilst allowing easy passage of the traveler.

Rung shape and size: Round $\varnothing 12$ to $\varnothing 30$ mm (0.47" to 1.18") / Square 20 to 40mm (0.79" to 1.57").

Operating Temperature Range: 60°C (140°F) to -30°C (-22°F)



PART SPECIFICATION:

Net Weight kg (lb)
0.5 (1.1)

COMPONENT SPECIFICATION:

	Qty.	Component	Material	Finish
A	1	Cabloc Pro Int Guide	316 Stainless Steel / Steel	Electropolished / Galvanized

TECHNICAL DATA SHEET: 6191019

Cabloc Pro Int Guide SS

Part No: 6191019



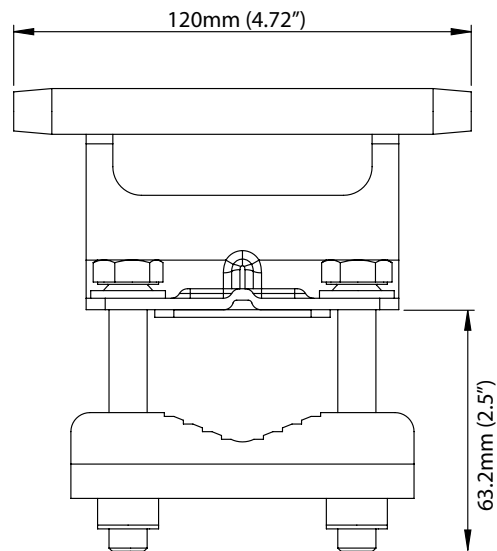
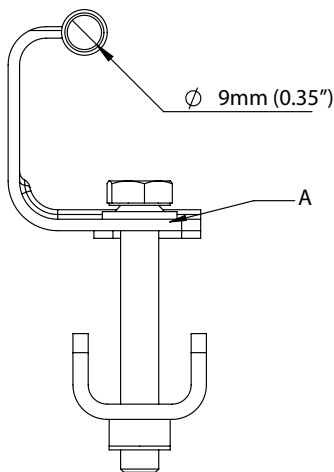
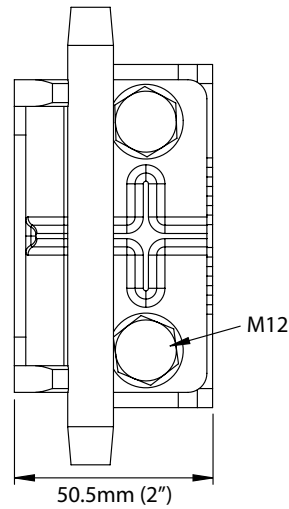
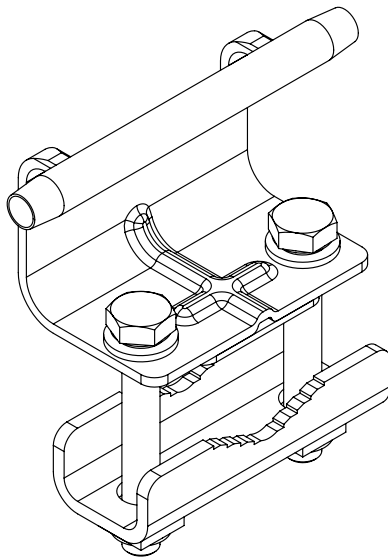
Fall Protection

APPLICATION:

The cable guide is designed to fix the cable to the ladder on one rung, whilst allowing easy passage of the traveler.

Rung shape and size: Round $\varnothing 12$ to $\varnothing 30$ mm (0.47" to 1.18") / Square 20 to 40mm (0.79" to 1.57").

Operating Temperature Range: 60°C (140°F) to -30°C (-22°F)



PART SPECIFICATION:

Net Weight kg (lb)
0.5 (1.1)

COMPONENT SPECIFICATION:

	Qty.	Component	Material	Finish
A	1	Cabloc Pro Int Guide SS	316 / 304 Stainless Steel	Electropolished / Natural

TECHNICAL DATA SHEET: 6191032

Cabloc Stainless Steel Top Anchor

Part No: 6191032



Fall Protection

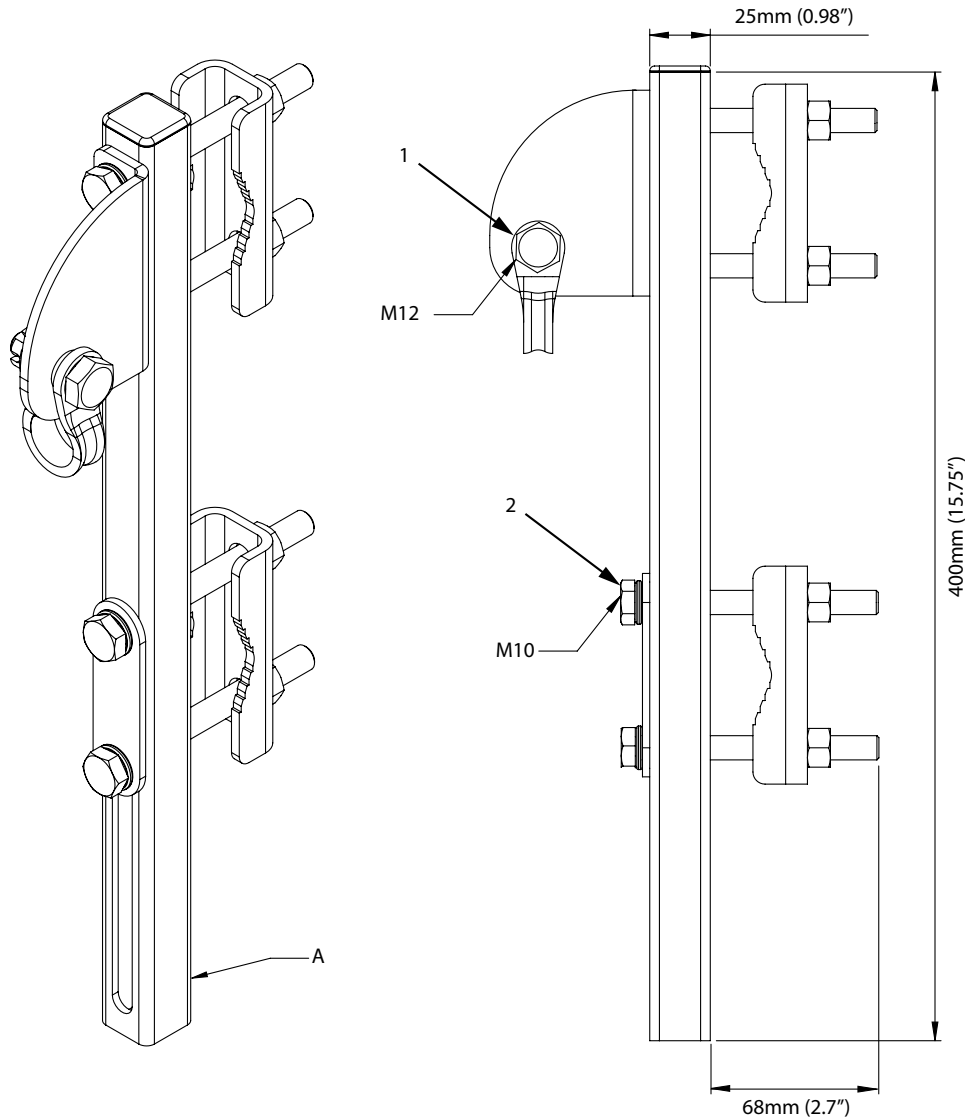
APPLICATION:

Used as a top anchor on the Cabloc vertical system for ladders.

Number of users: 2

Compatibility: Rung centers 200mm-310mm (7.87"-12.20"). Fits cylindrical rung $\varnothing 12\text{-}\varnothing 30$ (0.47"-1.18") and square rungs 20mm-40mm (0.79"-1.57").

Operating Temperature Range: -30°C (-22°F) to 60°C (140°F)



PART SPECIFICATION:

Net Weight kg (lb)	Minimum Breaking Strength kN (lb)	Torque -1 Nm (ft-lbf)	Torque -2 Nm (ft-lbf)
1.65 (3.6)	15 (3372)	10 (7.4)	30 (22)

COMPONENT SPECIFICATION:

Qty.	Component	Material	Finish
A 1	Cabloc Stainless Steel Top Anchor	304 Stainless Steel	Electropolished

TECHNICAL DATA SHEET: 6191033

Cabloc Stainless Steel Bottom Anchor

Part No: 6191033



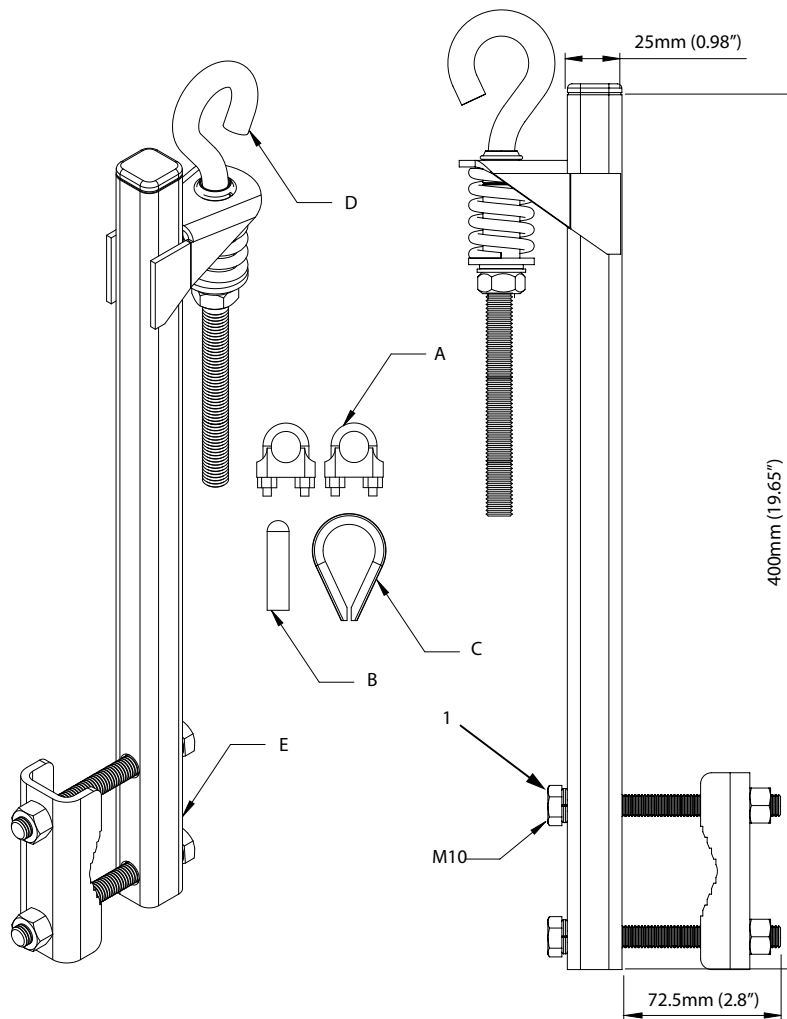
Fall Protection

APPLICATION:

Used at the bottom of Cabloc systems to set the tension.

6x19 and 7x19 stainless steel cable sold separately.

Operating Temperature Range: -30°C (-22°F) to 60°C (140°F)



PART SPECIFICATION:

Net Weight kg (lb)	Torque -1 Nm (ft-lbf)
1.7 (3.7)	30 (22)

COMPONENT SPECIFICATION:

	Qty.	Component	Material	Finish
A	2	Cable Clamp	Stainless Steel	Electropolished
B	1	Cable End Cap	Stainless Steel	Electropolished
C	1	Thimble	Stainless Steel	Electropolished
D	1	Attachment Ring	Stainless Steel	Electropolished
E	1	Bottom Anchor	Stainless Steel	Electropolished

TECHNICAL DATA SHEET: 6191035

Cabloc Galvanized Steel Top Anchor

Part No: 6191035



Fall Protection

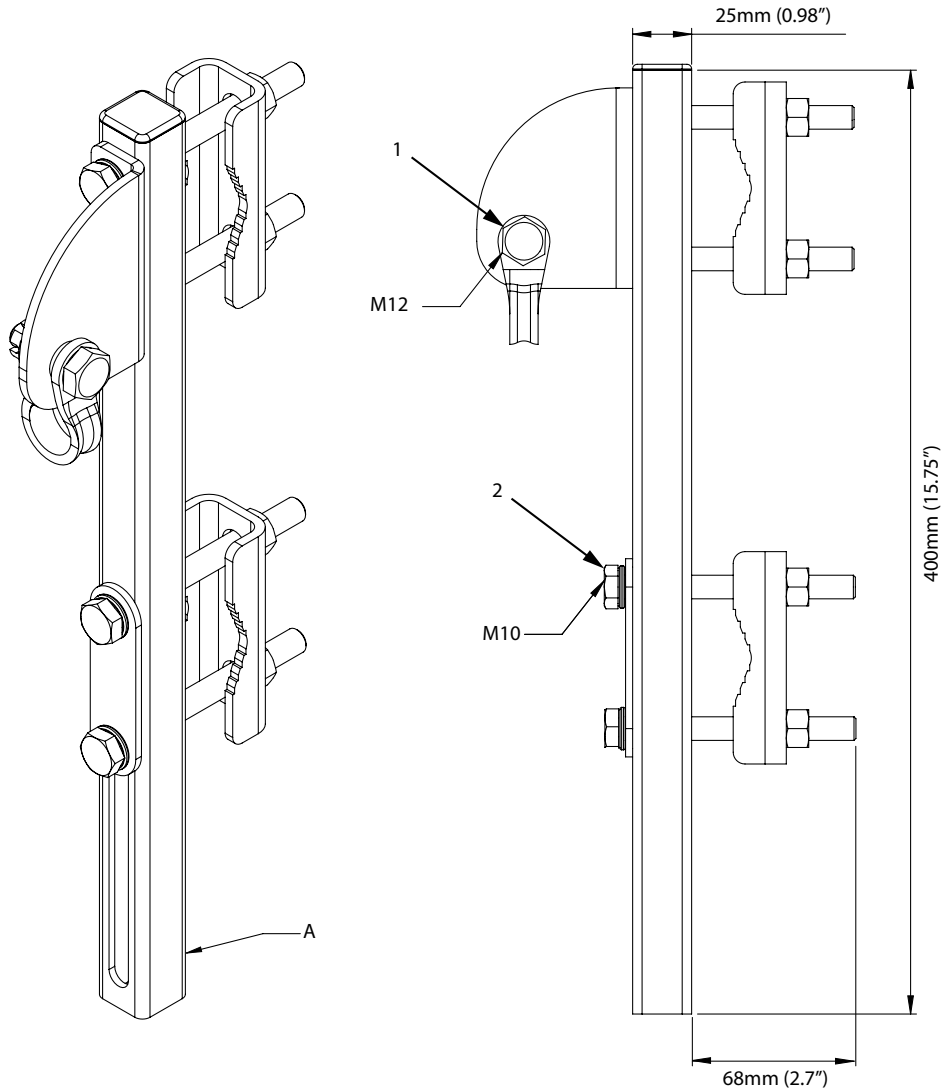
APPLICATION:

Used as a top anchor on the Cabloc vertical system for ladders.

Number of users: 2

Compatibility: Rung centers 200mm-310mm (7.87"-12.20"). Fits cylindrical rung $\varnothing 12\text{-}\varnothing 30$ (0.47"-1.18") and square rungs 20mm-40mm (0.79"-1.57").

Operating Temperature Range: -30°C (-22°F) to 60°C (140°F)



PART SPECIFICATION:

Net Weight kg (lb)	Minimum Breaking Strength kN (lb)	Torque -1 Nm (ft-lbf)	Torque -2 Nm (ft-lbf)
1.65 (3.6)	15 (3372)	10 (7.4)	30 (22)

COMPONENT SPECIFICATION:

Qty.	Component	Material	Finish	
A	1	Cabloc Galvanized Steel Top Anchor	Steel	Galvanized

TECHNICAL DATA SHEET: 6191036

Cabloc Galvanized Steel Bottom Anchor

Part No: 6191036



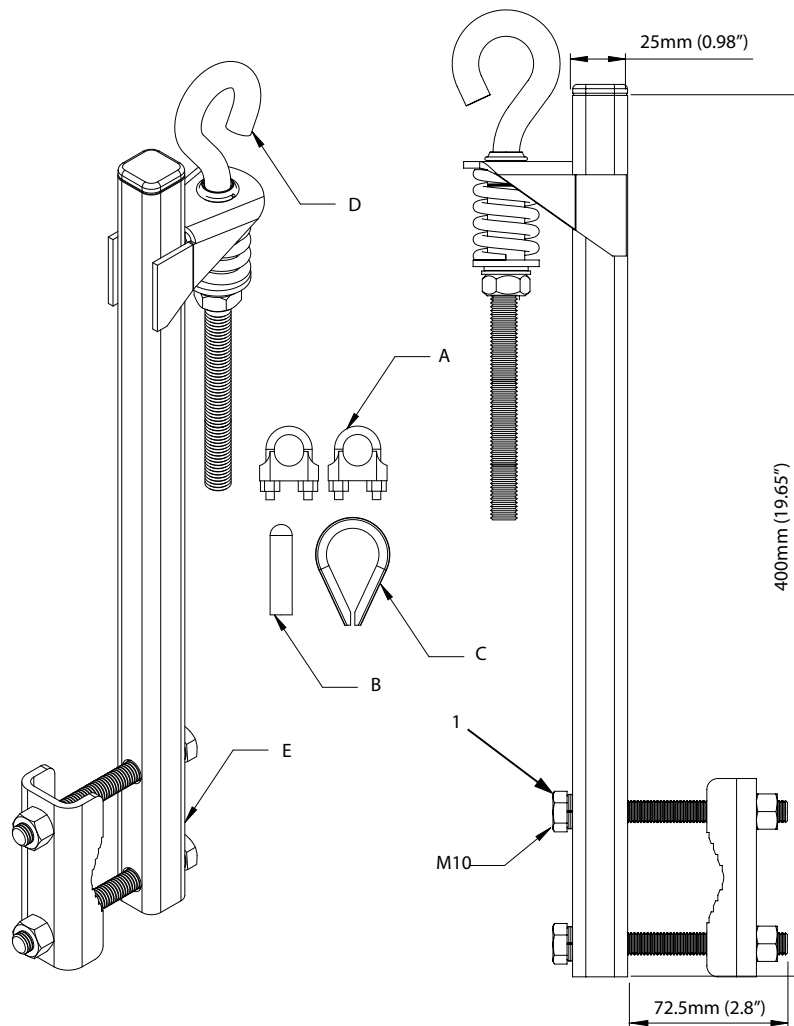
Fall Protection

APPLICATION:

Used at the bottom of Cabloc systems to set the tension.

6x19 and 7x19 stainless steel cable sold separately.

Operating Temperature Range: -30°C (-22°F) to 60°C (140°F)



PART SPECIFICATION:

Net Weight kg (lb)	Torque -1 Nm (ft-lbf)
1.7 (3.7)	30 (22)

COMPONENT SPECIFICATION:

	Qty.	Component	Material	Finish
A	2	Cable Clamp	Steel	Galvanized
B	1	Cable End Cap	Steel	Galvanized
C	1	Thimble	Steel	Galvanized
D	1	Attachment Ring	Steel	Galvanized
E	1	Bottom Anchor	Steel	Galvanized

TECHNICAL DATA SHEET: 6191038

Cabloc Hex Swage Bottom Anchor

Part No: 6191038



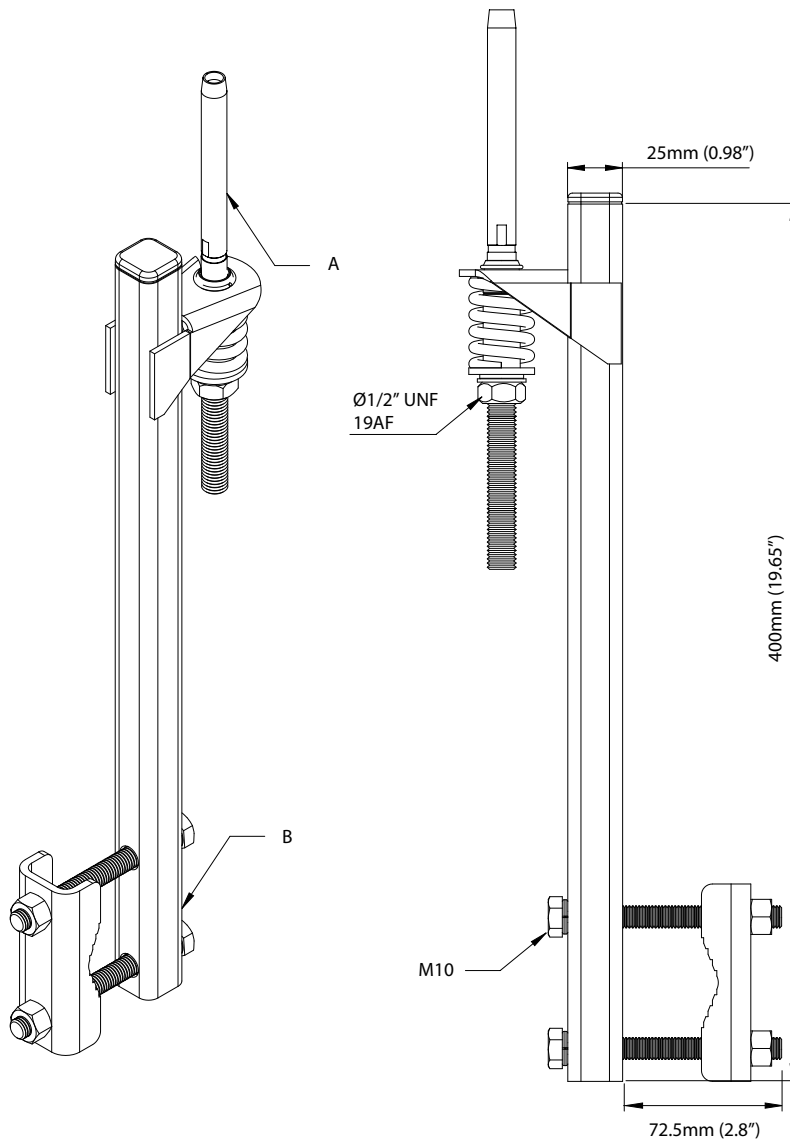
Fall Protection

APPLICATION:

Used at the bottom of Cabloc systems to set the tension.

1x19 stainless steel cable sold separately.

Operating Temperature Range: 60°C (140°F) to -30°C (-22°F)



PART SPECIFICATION:

Net Weight kg (lb)
1.5 (3.3)

COMPONENT SPECIFICATION:

	Qty.	Component	Material	Finish
A	1	Stud	316 Stainless Steel	Electropolished
B	1	Bottom Anchor	304 Stainless Steel	Machined

TECHNICAL DATA SHEET: 6191062

Cabloc Galvanized Hex Swage Bottom Anchor

Part No: 6191062



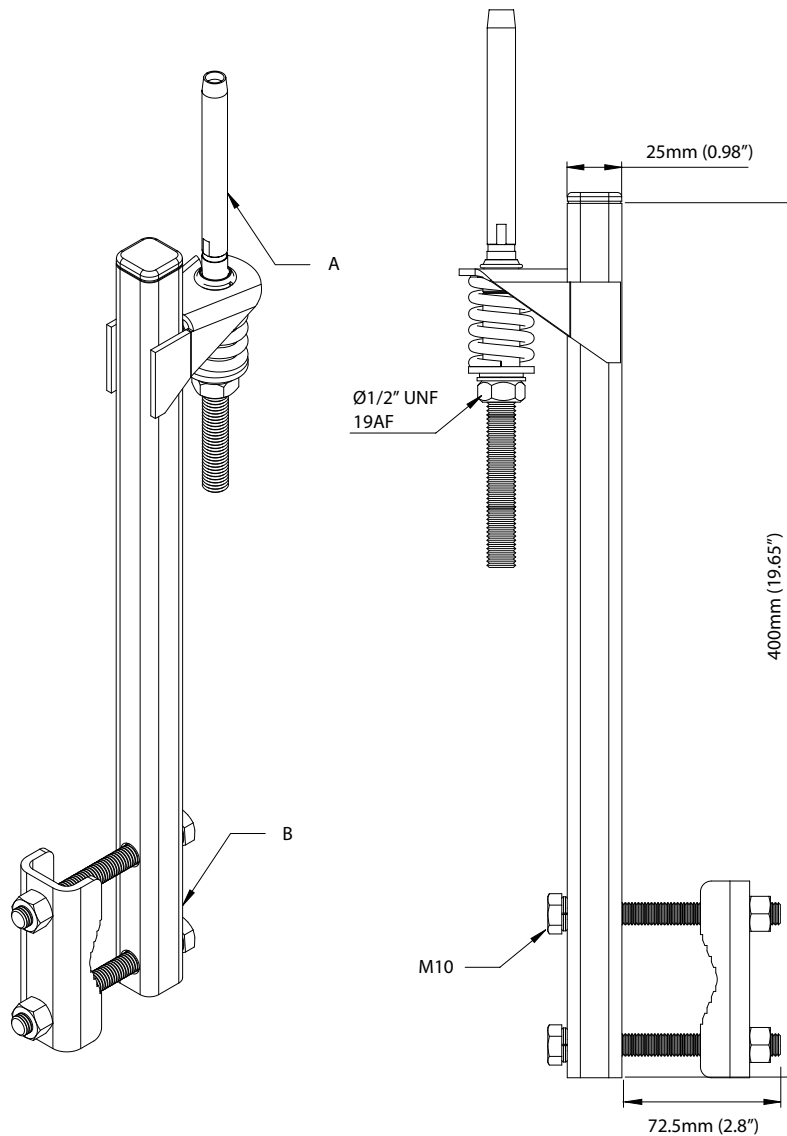
Fall Protection

APPLICATION:

Used at the bottom of Cabloc systems to set the tension.

1x19 stainless steel cable sold separately.

Operating Temperature Range: 60°C (140°F) to -30°C (-22°F)



PART SPECIFICATION:

Net Weight kg (lb)
1.6 (3.5)

COMPONENT SPECIFICATION:

	Qty.	Component	Material	Finish
A	1	Stud	316 Stainless Steel	Electropolished
B	1	Bottom Anchor	Steel	Galvanized

TECHNICAL DATA SHEET: 6199998

Cabloc Pro

Part No: 6199998



Fall Protection

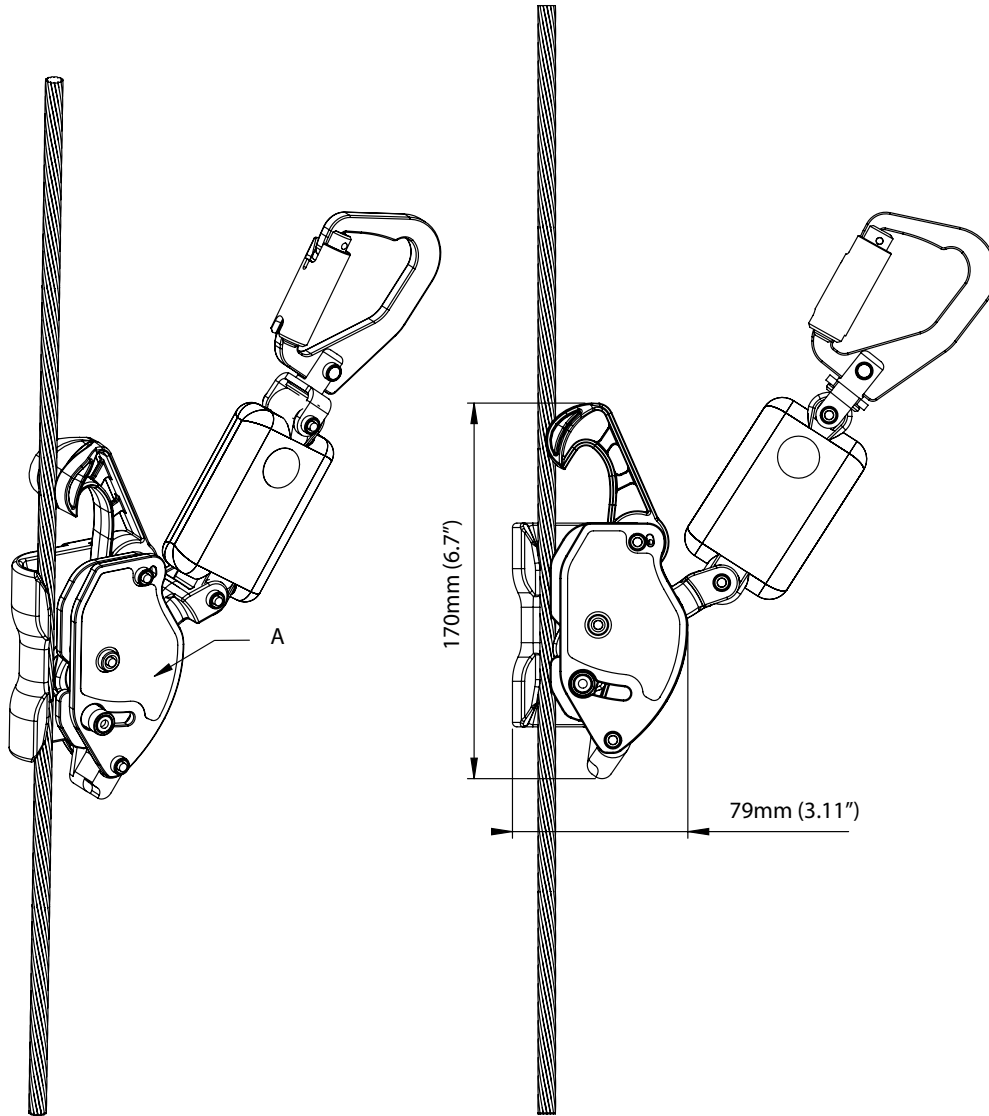
APPLICATION:

Used as a traveler in vertical applications to allow the user to be constantly attached to the system.

Note: Cable not included. Use with 8mm 1x19 cable only.

Number of Users 1. User weight 50kg-150kg (110lbs - 330lbs).

Operating Temperature Range: 60°C (140°F) to -30°C (-22°F)



PART SPECIFICATION:

Net Weight kg (lb)	Minimum Breaking Strength kN (lb)	Maximum Deployment Length mm (in)	Activation Force kN (lb)
0.99 (2.2)	15 (3372)	390 (15.3")	2 (450)

COMPONENT SPECIFICATION:

Qty.	Component	Material	Finish
A 1	Cabloc Pro	Nylon / Cast Stainless Steel / 1900dN Polyester	Electropolished / Natural

TECHNICAL DATA SHEET: 7234011

Hex Swage Toggle

Part No: 7234011



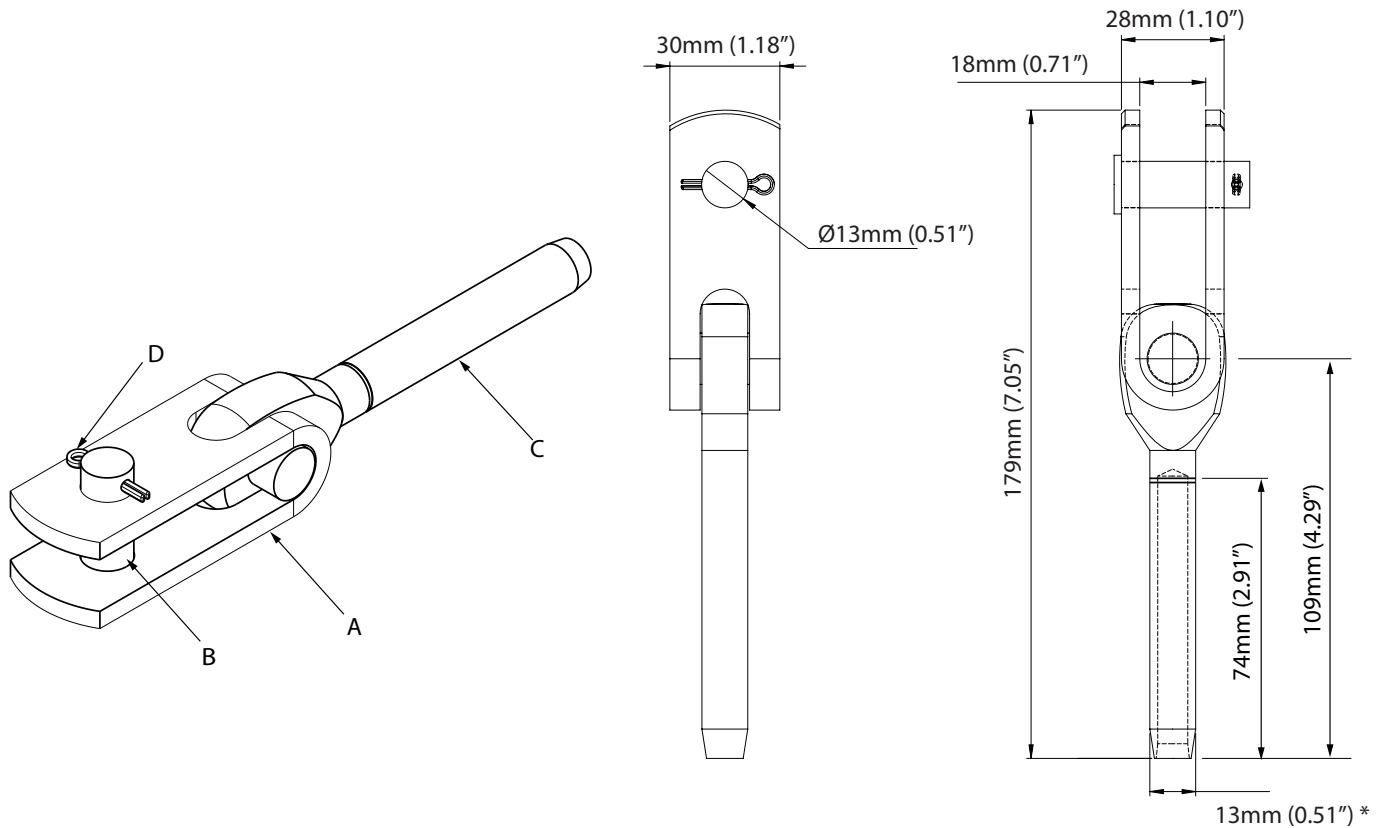
Fall Protection

APPLICATION:

Used to terminate cable at one end of system. For use with 8mm 7x7 or 1x19 cable only.

Refer to installation instructions for information on assembly and installation.

Operating Temperature Range: 120°C (248°F) to -50°C (-58°F)



PART SPECIFICATION:

Net Weight kg (lb)	Minimum Breaking Strength kN (lb)
0.33 (0.7)	38 (8550)

COMPONENT SPECIFICATION:

	Qty.	Component	Material	Finish
A	1	Shackle	316 Stainless Steel	Natural
B	1	Clevis	316 Stainless Steel	Natural
C	1	Swage Terminal	316 Stainless Steel	Natural
D	1	Split Pin	316 Stainless Steel	Natural
*		Before Swaging		

TECHNICAL DATA SHEET: 7241072

8mm 1x19 Stainless Steel Cable Per M

Part No: 7241072

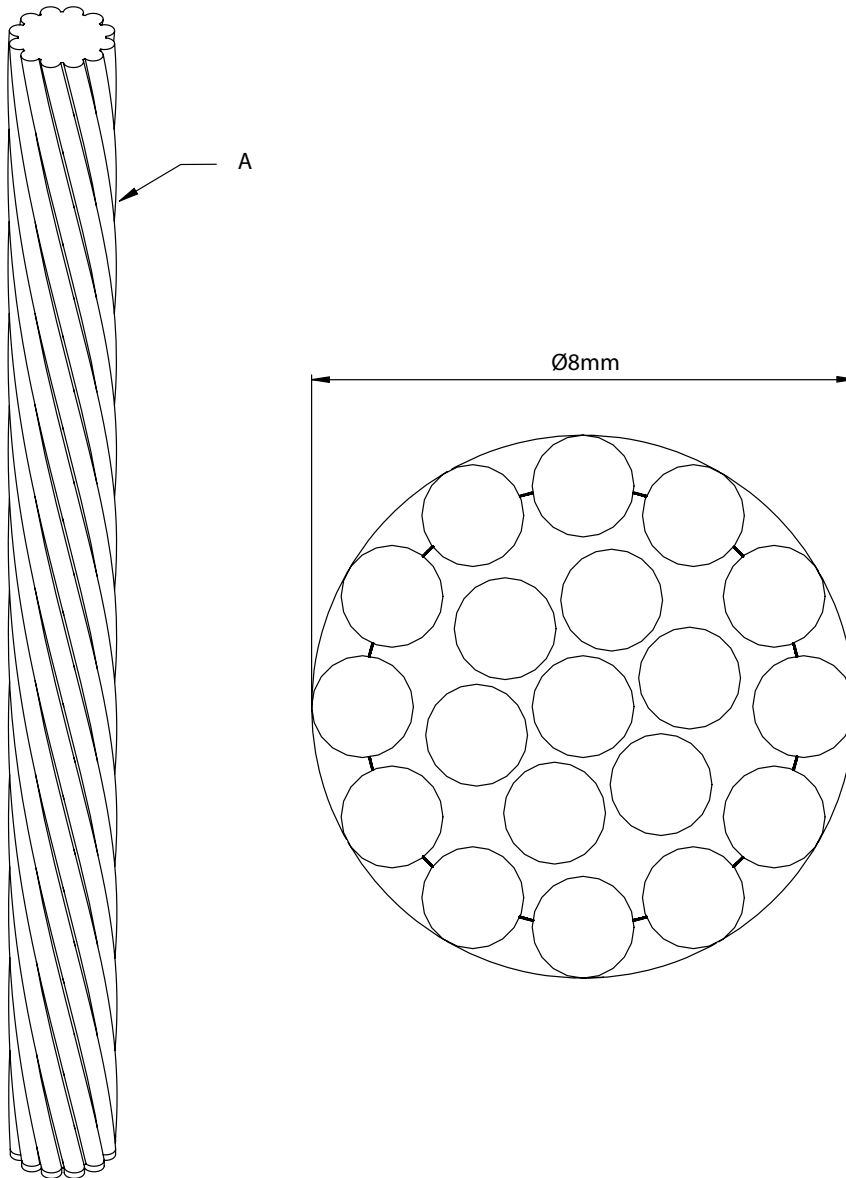


Fall Protection

APPLICATION:

8mm 1x19 Stainless Steel Cable for use on vertical and Uni-8 Overhead systems. To be used with hex swage stud, toggle or tensioner only.

Operating Temperature Range: 60°C (140°F) to -30°C (-22°F)



PART SPECIFICATION:

Net Weight kg/m (lb/ft)	Minimum Breaking Strength kN (lb)
0.32 (0.7)	45.5 (10229)

COMPONENT SPECIFICATION:

	Qty.	Component	Material	Finish
A	1	8mm 1x19 Stainless Steel Cable	316 Stainless Steel	Natural

TECHNICAL DATA SHEET: AC300SXX

8mm 7x19 Stainless Steel Cable By Length

Part No: AC300SXX



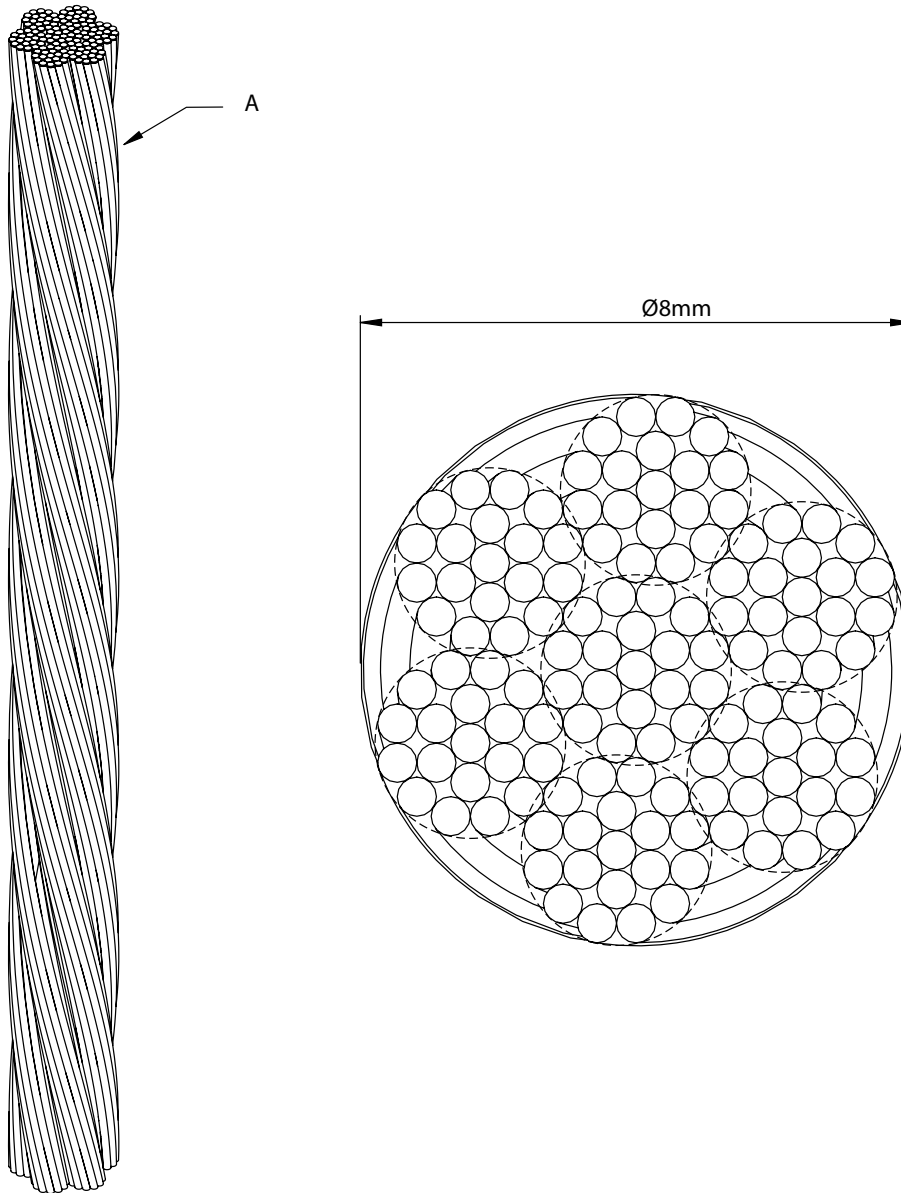
Fall Protection

APPLICATION:

8mm 7x19 Stainless Steel Cable is used as the basis of vertical climbing systems to allow continued attachment.

Supplied with a loop and crimped at the end.

Operating Temperature Range: -30°C (-22°F) to 60°C (140°F)



PART SPECIFICATION:

Net Weight kg/m (lb/ft)	Minimum Breaking Strength kN (lb)
0.24 (0.5)	36.5 (82016)

COMPONENT SPECIFICATION:

A	1	8mm 7x19 Stainless Steel Cable By Length	316 Stainless Steel	Natural
---	---	--	---------------------	---------

TECHNICAL DATA SHEET: AC300GXX

8mm 6x19 Galvanized Steel Cable By Length

Part No: AC300GXX



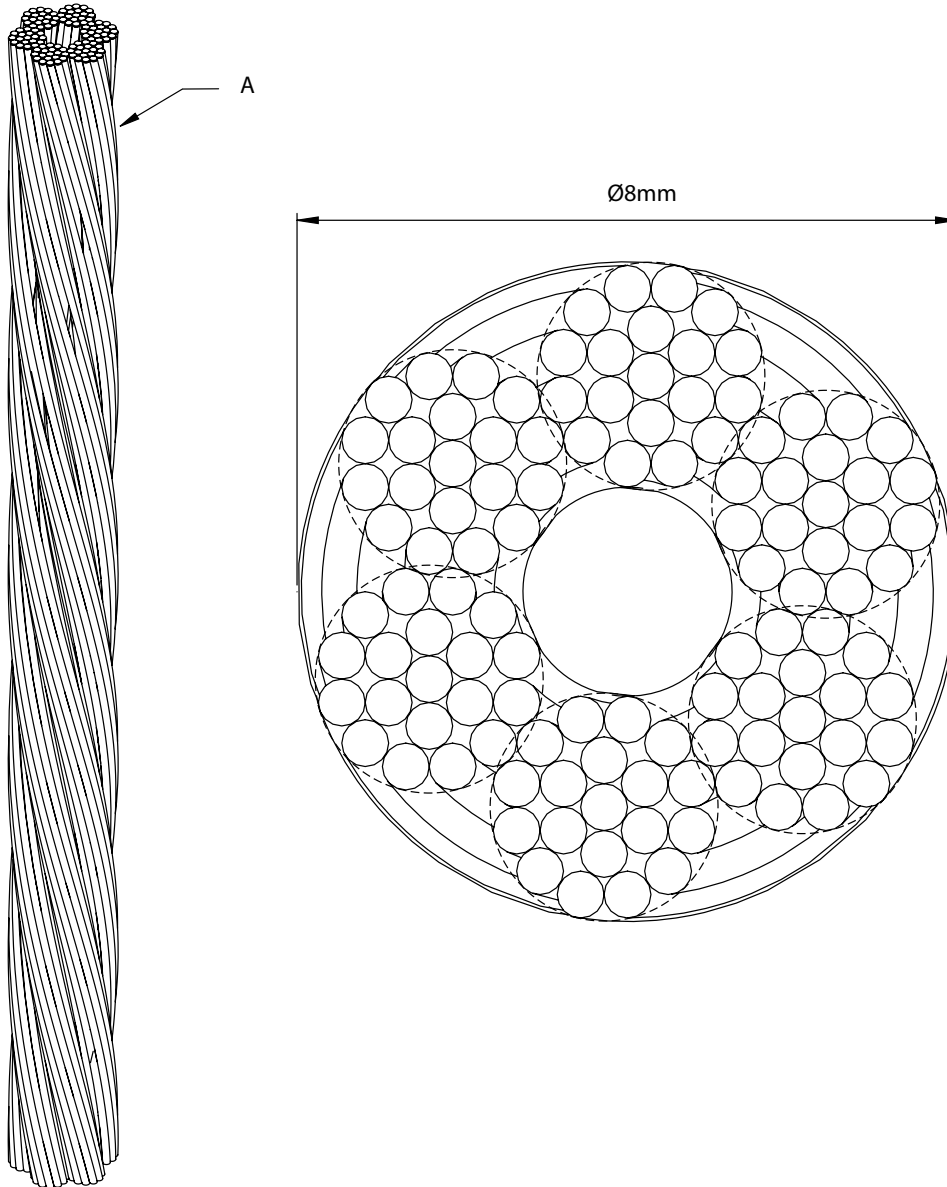
Fall Protection

APPLICATION:

8mm 6x19 Galvanized Steel Cable for use in Cabloc vertical systems.

Supplied with a loop and crimped at the end.

Operating Temperature Range: -30°C (-22°F) to 60°C (140°F)



PART SPECIFICATION:

Net Weight kg/m (lb/ft)	Minimum Breaking Strength kN (lb)
0.24 (0.5)	34.8 (7820)

COMPONENT SPECIFICATION:

	Qty.	Component	Material	Finish
A	1	8mm 6x19 Galvanized Steel Cable By Length	Steel	Galvanized

TECHNICAL DATA SHEET: 6191088

System Tag Western Europe Kit

Part No: 6191088



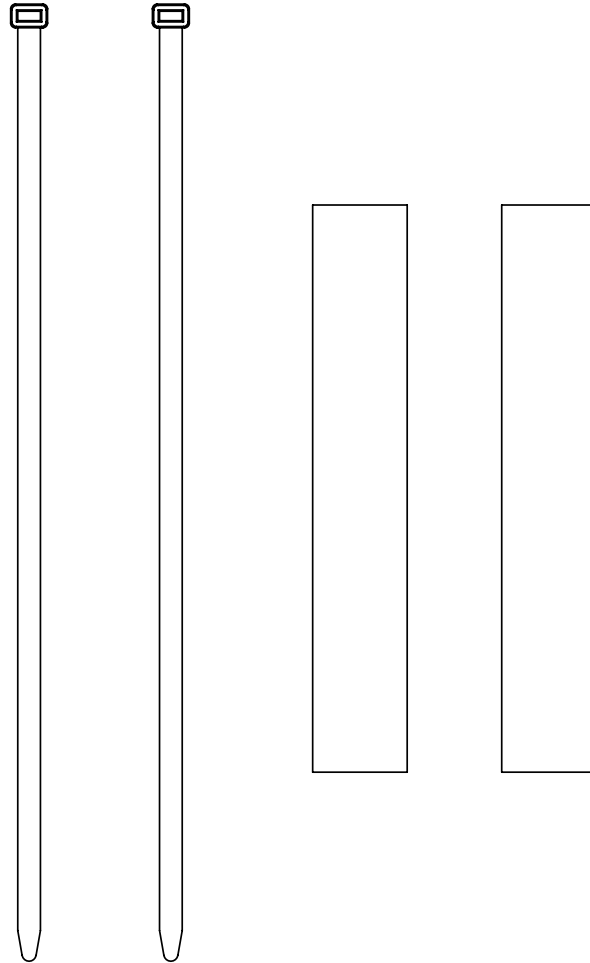
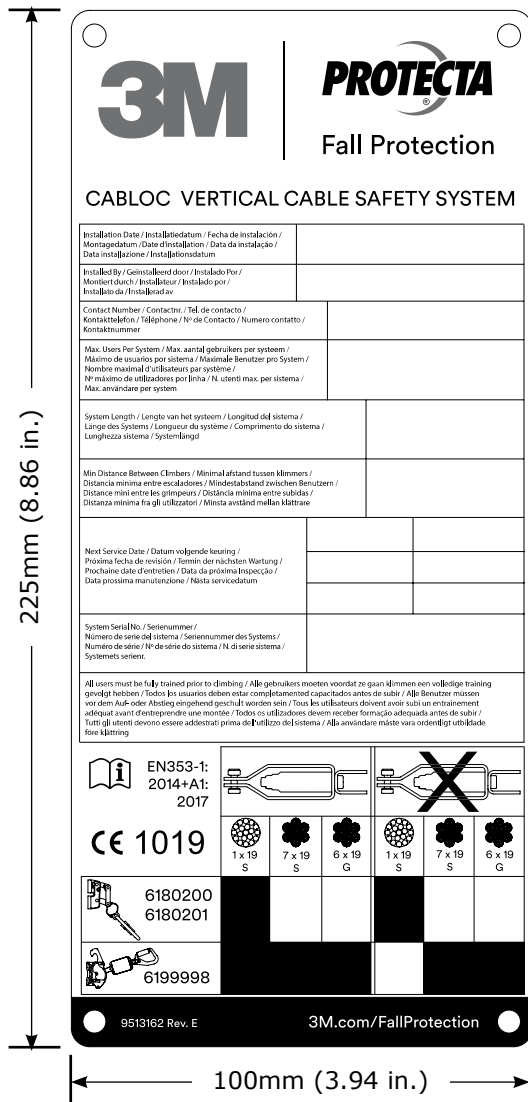
Fall Protection

APPLICATION:

For use on all Cabloc systems (Languages: English, Dutch, Spanish, German, French, Portuguese, Italian and Swedish).

Must be attached in a visible location near the start of the system. It is completed by the installer with essential information for the user.

Note: Tie wraps and scapa tape included as shown.



COMPONENT SPECIFICATION:

Qty.	Component	Material	Finish
A 1	System Tag Western Europe Kit	Aluminum	Anodized, Screen Printed, Low temperature baked

TECHNICAL DATA SHEET: 6191104

System Tag Central and Eastern Europe Kit

Part No: 6191104



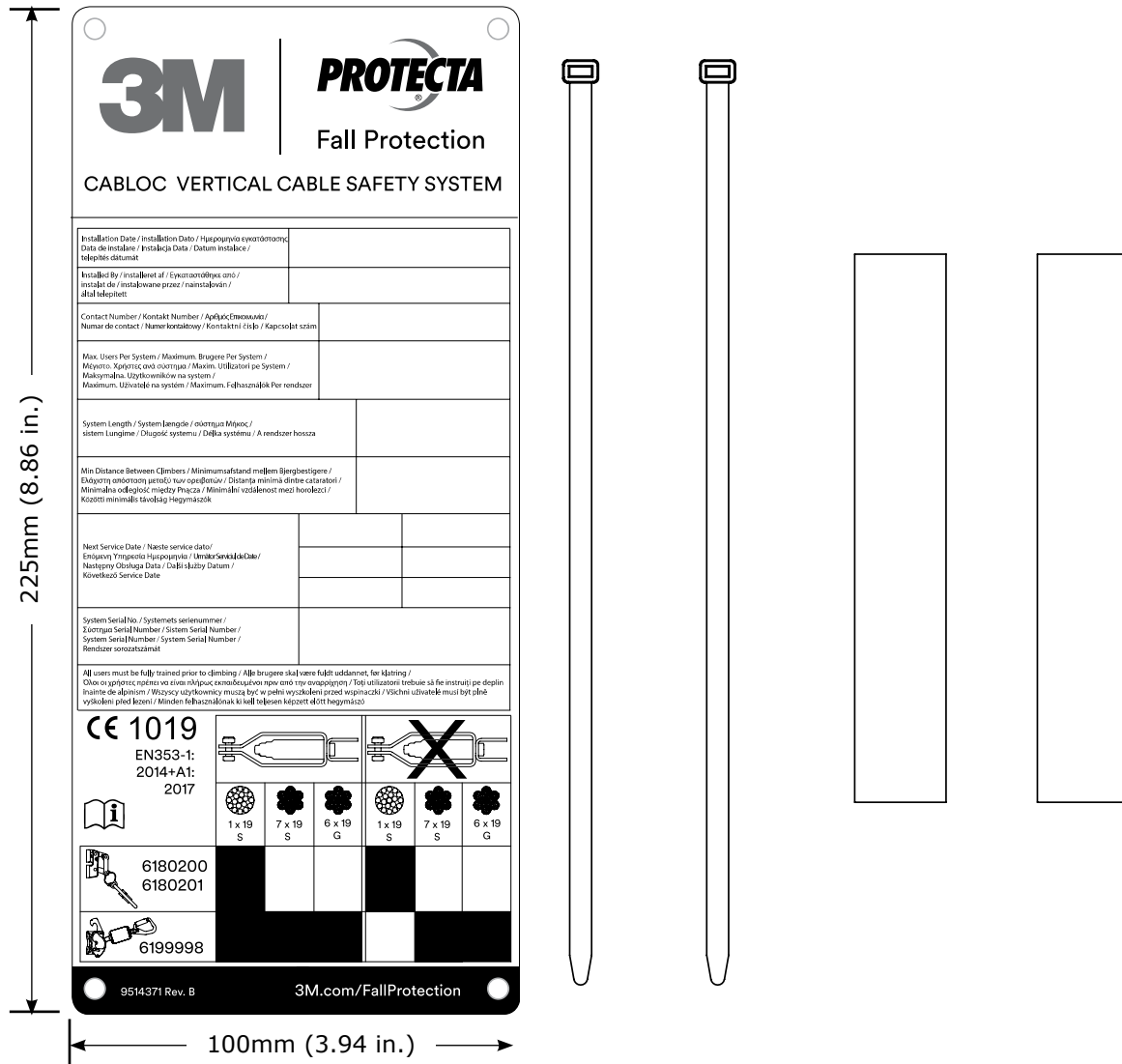
Fall Protection

APPLICATION:

For use on all Cabloc systems (Languages: English, Danish, Greek, Romanian, Polish, Czech and Hungarian.)

Must be attached in a visible location near the start of the system. It is completed by the installer with essential information for the user.

Note: Tie wraps and scapa tape included as shown.



COMPONENT SPECIFICATION:

Qty.	Component	Material	Finish
A 1	System Tag Central and EasternEurope Kit	Aluminum	Anodized, Screen Printed, Low temperature baked

TECHNICAL DATA SHEET: 6191105

System Tag Arabic and Turkish Kit

Part No: 6191105



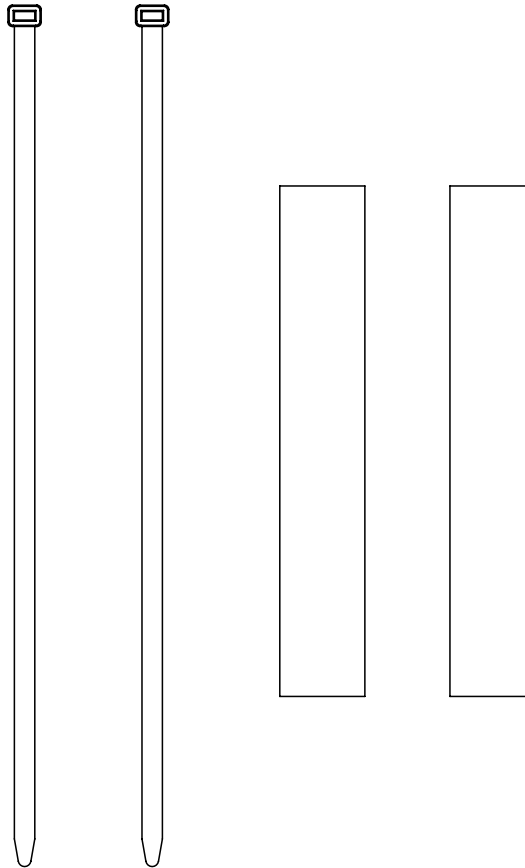
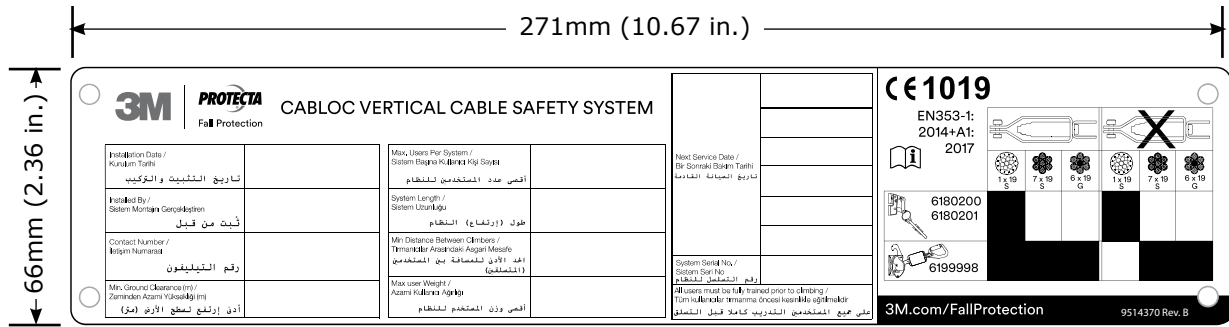
Fall Protection

APPLICATION:

For use on all Cabloc systems (Languages: English, Turkish and Arabic).

Must be attached in a visible location near the start of the system. It is completed by the installer with essential information for the user.

Note: Tie wraps and scapa tape included as shown.



COMPONENT SPECIFICATION:

Qty.	Component	Material	Finish
A 1	System Tag Arabic and Turkish Kit	Aluminum	Anodized, Screen Printed, Low temperature baked