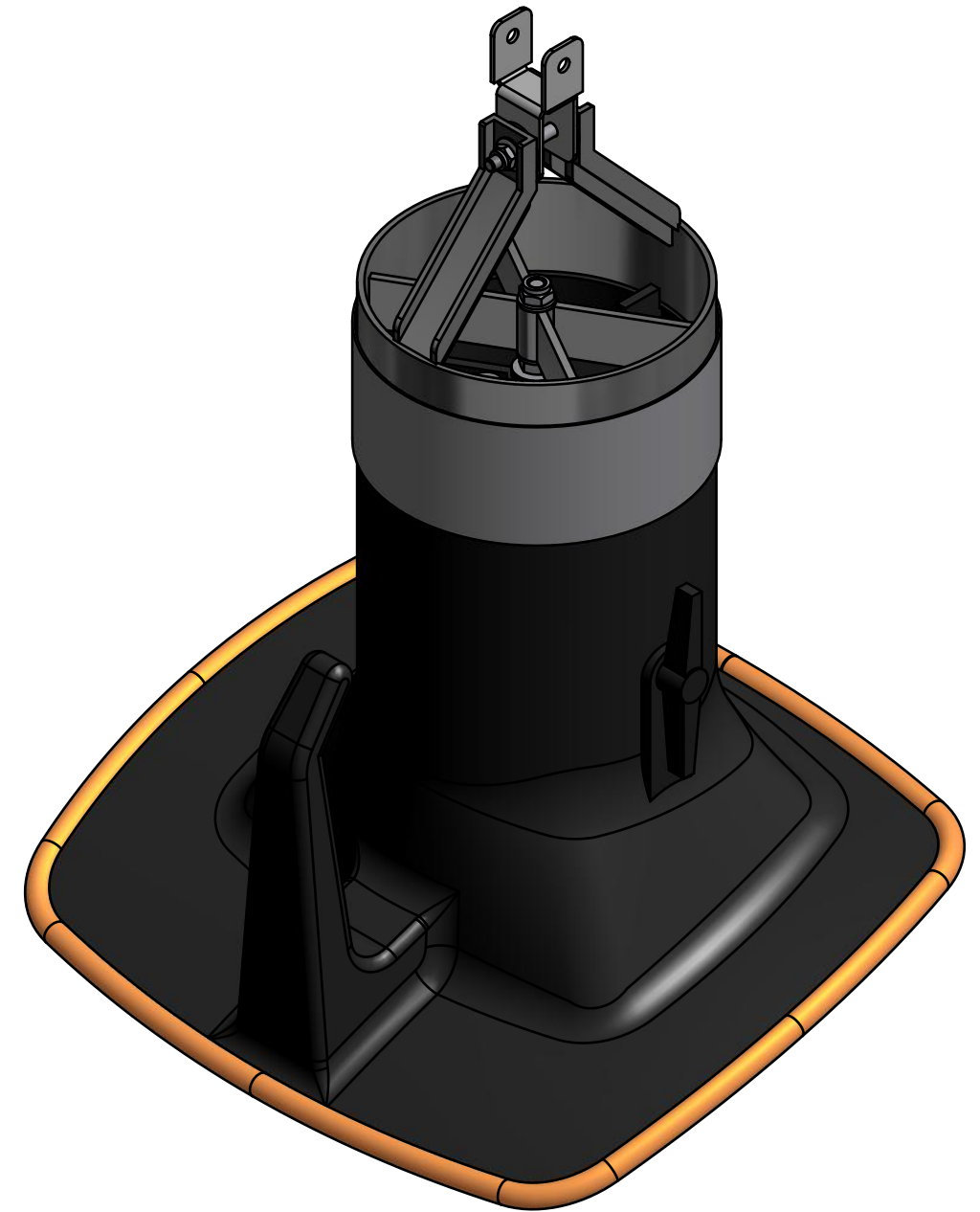
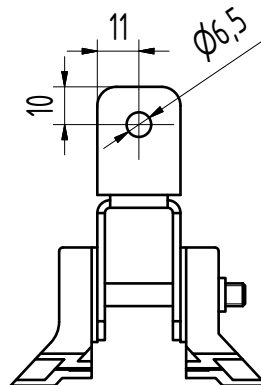
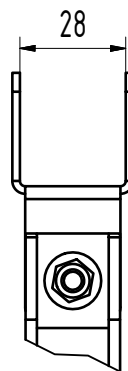


A (1 : 2)



Protection mark acc. to DIN ISO 16016		General tol. EN ISO 2768 - mK		Tol. with ISO 8015	Yes
Name	Date	Replaces:			
Designed by: brueggin	25.04.2012	Replacement date:			
Drawn by: isferdin	25.06.2015	Model: 7910300.iam	Scale: 1:5	Weight: 1,717 kg	
Status: Work in progress		Unfold:			
KEMPER Kemper GmbH · Von-Siemens-Str. 20 · D-48691 Vreden Tel. +49(0)2564/68-0 · Fax +49(0)2564/68-120 www.kemper.eu · mail@kemper.eu		Item name: Absaughaube drehbar mit Rand kompl. verp.			List/Sheet 1 / 1
		Material :			Format A3
Projection: ISO E		Drawing no: 7910300		Document type:	